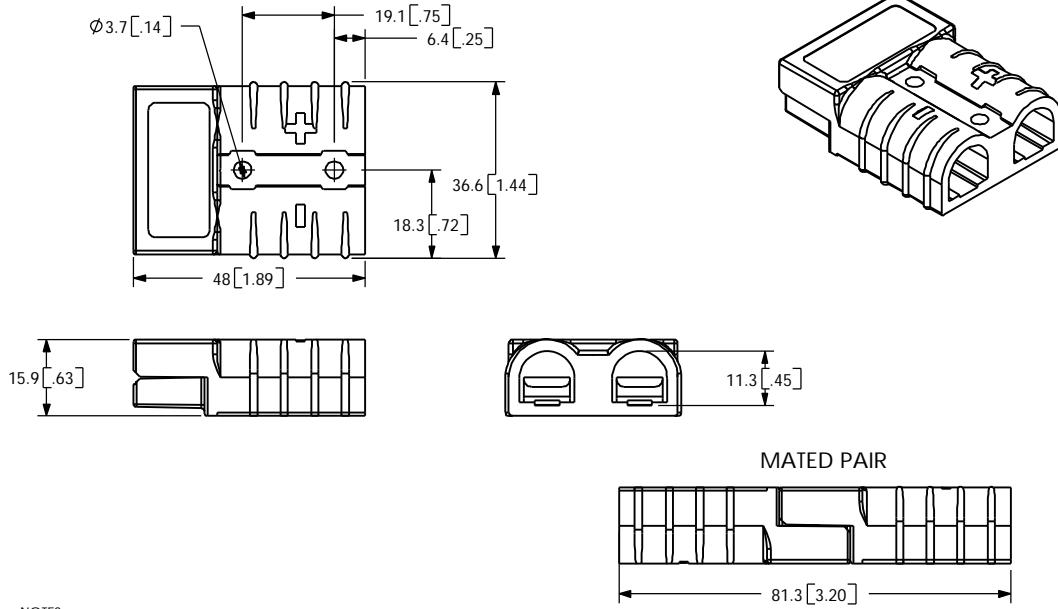


THE INFORMATION CONTAINED IN THIS DRAWING IS THE SOLE PROPERTY OF ANDERSON CARBOLON GROUP. ANY REPRODUCTION IN PART OR WHOLE WITHOUT THE WRITTEN PERMISSION OF ANDERSON CARBOLON GROUP IS PROHIBITED.



- NOTES:
 1. SPRING/HOUSING ASSEMBLIES ARE UL RECOGNIZED PER FILE E26226, CSA CERTIFIED PER LR25154
 2. HOUSINGS ARE KEYPED TO ONLY ALLOW MATING WITH THE SAME COLOR HOUSING, EXCEPT FOR THE BLACK HOUSING.
 3. FOR ASSEMBLY INSTRUCTIONS SEE DOCUMENT 1S1030A
 4. HOUSING ASSEMBLIES ACCOMMODATE ANDERSON CONTACTS FOR WIRE RANGE FROM #16 AWG TO #6 AWG.
 5. MATERIAL:
 HOUSINGS- POLYCARBONATE, UL94V0
 SPRING- STAINLESS STEEL

ITEM NO.	PART OR IDENTIFYING NO.	NAME/CLATURE OR DESCRIPTION	MATERIAL SPECIFICATION	QTY. REQ'D.
PARTS LIST				
UNLESS OTHERWISE SPECIFIED:		CAD GENERATED DRAWING. DO NOT MANUALLY UPDATE		
DIMENSIONS ARE IN MM'S WITH INCHES IN [], TOLERANCES ARE: 1 PL ±.4 2 PL ±.02		APPROVALS	DATE	
DRAWN		CMS	3/18/99	
CHECKED		DJD	3/19/99	
MATERIAL		RESP'NG		
SEE NOTES		MFG ENG		
FINISH		QC		
--		SIZE	DWG. NO.	REV.
		A	111923S1	0
		SCALE	CAD FILE	SHEET 1 OF 1
			01000	

REV	DESCRIPTION	DATE	APP.

DO NOT SCALE DRAWING