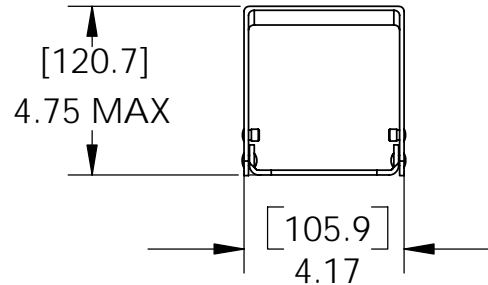
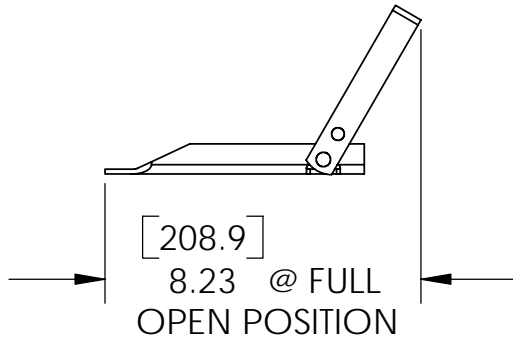
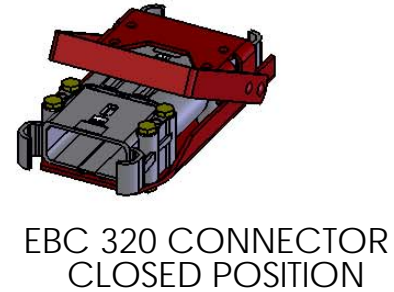
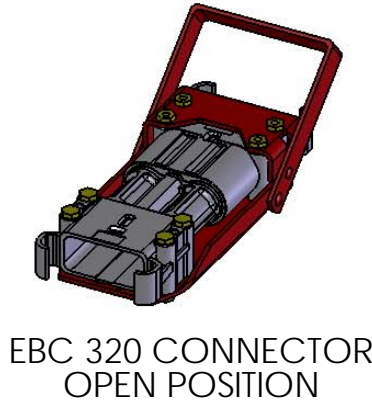
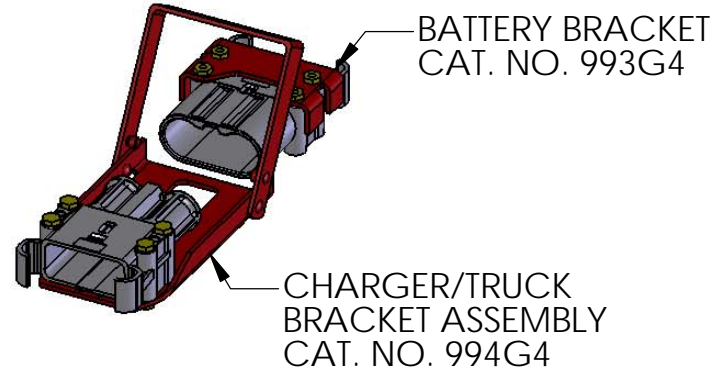
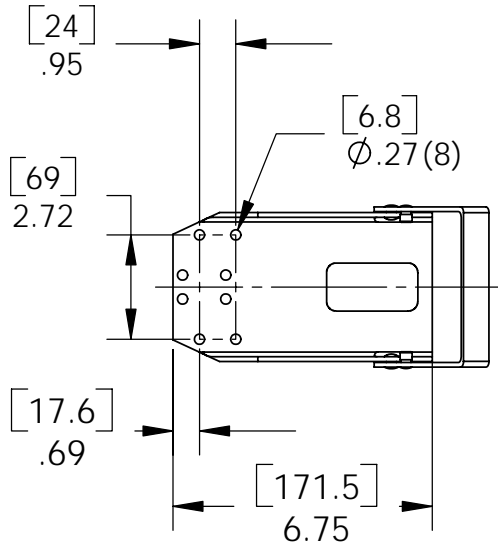


THE INFORMATION CONTAINED IN THIS DRAWING IS THE SOLE PROPERTY OF ANDERSON POWER PRODUCTS. ANY REPRODUCTION IN PART OR WHOLE WITHOUT THE WRITTEN PERMISSION OF ANDERSON POWER PRODUCTS IS PROHIBITED.

ANDERSON POWER PRODUCTS RESERVES THE RIGHT TO ALTER PRODUCT TYPES, THEIR TECHNICAL DATA, DIMENSION, STYLE AND ACCESSORIES WITHOUT PRIOR NOTIFICATION.

DATE	**
BY:	**
DESCRIPTION OF CHANGES	**
REV.	**



**NOTES:**

1. MATERIAL = .125 THK COLD ROLLED STEEL
2. FINISH = ELECTROSTATIC POWDER COAT EPOXY - CRIMSON
3. MOUNTING HARDWARE INCLUDED WITH CAT. NO 994G4 (CHARGER/TRUCK BRACKET ASSEMBLY)
3. USE WITH CAT. NO. 993G4 (BATTERY BRACKET)
4. CONNECTORS SOLD SEPARATELY

COPYRIGHT 2004 ANDERSON POWER PRODUCTS. ALL RIGHTS RESERVED. UNAUTHORIZED REPRODUCTION HEREBY PROHIBITED.

DIMENSIONS ARE IN INCHES DIMENSIONS IN PARENTHESES [ ] ARE IN MILLIMETERS		CAD GENERATED DRAWING, DO NOT MANUALLY UPDATE		<b>ANDERSON POWER PRODUCTS</b>					
TOLERANCES ARE: 2PL- ±.02 [±.5]		APPROVALS	DATE	CHARGER/TRUCK BRKT EBC-320 MANUAL RELEASE CATALOG NUMBER 994G4					
MATERIALS:		DRAWN	AMP			8/20/04			
SEE NOTES		CHECKED	DJD			8/23/04			
FINISH		RESP ENG	MAW			8/23/04			
NEXT ASSY	USED ON	FINISH	SEE NOTES	MFG ENG	CHB	8/23/04	SIZE	SPECIFICATION:	REV.
APPLICATION	DO NOT SCALE DRAWING	QUAL ENG	RPO	8/20/04	A	114530S	0		
		SCALE	NONE	CADFILES/02097	SHEET 1 OF 1				