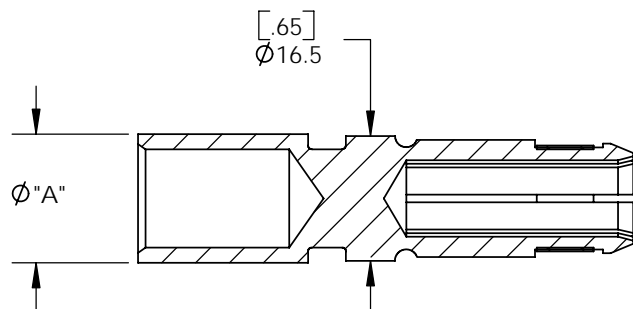
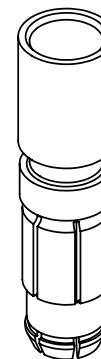
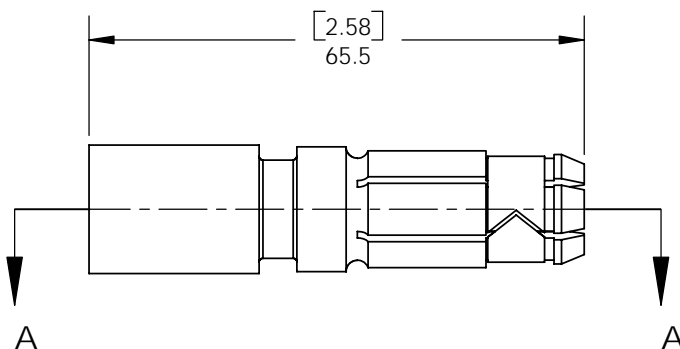
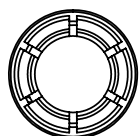


THE INFORMATION CONTAINED IN THIS DRAWING IS THE SOLE PROPERTY OF ANDERSON POWER PRODUCTS. ANY REPRODUCTION IN PART OR WHOLE WITHOUT THE WRITTEN PERMISSION OF ANDERSON POWER PRODUCTS IS PROHIBITED.

Copyright 2005

ANDERSON POWER PRODUCTS RESERVES THE RIGHT TO ALTER PRODUCT TYPES, THEIR TECHNICAL DATA, DIMENSION, STYLE AND ACCESSORIES WITHOUT PRIOR NOTIFICATION.



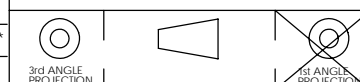
SECTION A-A

CAT. NO.	DESCRIPTION	"A"
320-1150	320A SOCKET (50MM WIRE)	14.5[.57]
320-1170	320A SOCKET (70MM WIRE)	17.0[.67]
320-1195	320A SOCKET (95MM WIRE)	19.8[.78]

DIMENSIONS ARE IN:	<input checked="" type="checkbox"/> INCH[MM]	MM[INCH]
UNLESS OTHERWISE STATED		
TOLERANCES:		
DECIMALS (INCH)	DECIMALS (MM)	ANGLES
XX ± .02	X ± .5	± 2°
SURFACE FINISH:		
MACHINED	128 [3.2]	<input checked="" type="checkbox"/>
MOLDED	64 [1.6]	<input checked="" type="checkbox"/>
MATERIAL: COPPER ALLOY		
FINISH: SILVER PLATE		

APPROVALS	
DRAWN	AMP 5/13/05
CHECKED	DJD 5/17/05
MFG APP	CHB 5/13/05
QC APP	UFN 5/13/05
ENG APP	DAM 5/13/05

<b>ANDERSON POWER PRODUCTS</b>		
TITLE		
EBC DIN CONTACT 320A SOCKET SALES OUTLINE		
SIZE	DWG NO.	REV.
A/A4	320-1100S1	0
SCALE	CADFILE	SHEET
NONE	02310	1 OF 1



-CAD GENERATED DRAWING-  
DO NOT MANUALLY UPDATE  
DO NOT SCALE

REV.	DESCRIPTION OF CHANGES	APPROVED	DATE
*	*****	***	*****