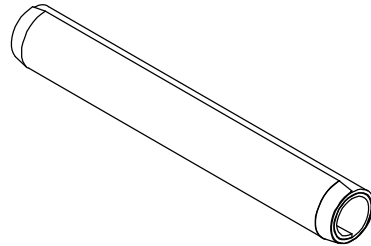
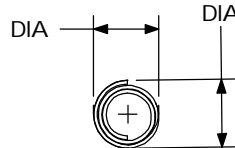
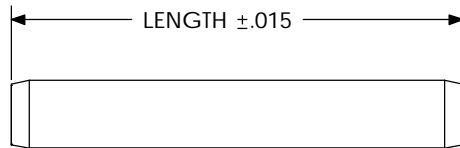
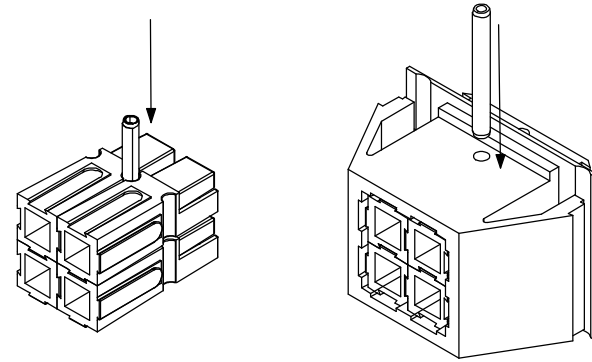


THE INFORMATION CONTAINED IN THIS DRAWING IS THE SOLE PROPERTY OF ANDERSON CARBOLON GROUP. ANY REPRODUCTION IN PART OR WHOLE WITHOUT THE WRITTEN PERMISSION OF ANDERSON POWER PRODUCTS IS PROHIBITED.



TYPICAL USES



SPIRAL RETAINING PINS FOR POWERPOLES

CAT. NO.	CONNECTOR	DIA	LENGTH
110G9	SNAP-IN RECEPTACLE	.093/.099	.85
110G16	PP15/45	.098/.103	.25
110G17	PP15/45	.099/.106	.44
110G18	PP75, PP120, PP180	.196/.207	1.00
110G19	PP75, PP120, PP180	.196/.207	.56
110G20	PP75, PP120, PP180	.196/.207	1.50

7	ECRN: 13318	07/06/00	CMS
6	ECRN 13265: REDRAWN TO CAD	10/25/99	CMS
REV	DESCRIPTION	DATE	APP.

ITEM NO.	PART OR IDENTIFYING NO.	NOMENCLATURE OR DESCRIPTION	MATERIAL SPECIFICATION	QTY RECD
PARTS LIST				
UNLESS OTHERWISE SPECIFIED: DIMENSIONS ARE IN INCHES TOLERANCES ARE: FRACTIONS DECIMALS ANGLES ± 1/32 .XX ± .015 ±30' .XXX ± .005		CAD GENERATED DRAWING, DO NOT MANUALLY UPDATE		ANDERSON POWER PRODUCTS
		APPROVALS	DATE	SPIRAL RETAINING PINS FOR POWERPOLES
DRAWN		LVR	8/31/88	
CHECKED		HHR	8/31/88	
RESP ENG		HHR	8/31/88	
MATERIAL		SS		SIZE
FINISH		--		DWG. NO.
				A
				111812S1
				REV.
				7
				SCALE
				NONE
				CAD FILE:
				01132
				SHEET 1 OF 1