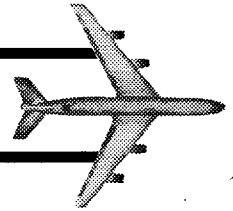


# AIRCRAFT CABLE ASSEMBLIES

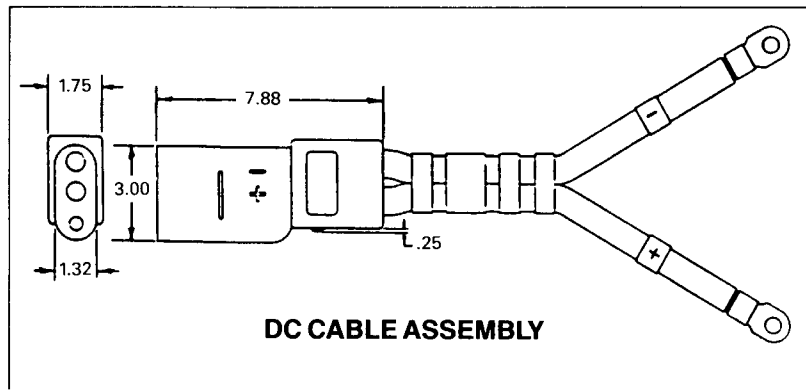


## Attachable and Molded Assemblies for D.C. Applications

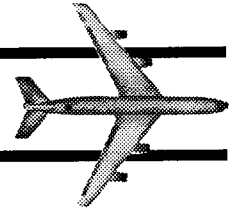
Anderson offers a complete line of cable assemblies for ground power applications. In addition to ATTACHABLE® aircraft connectors.

Cable assemblies are available with either attachable or integrally molded connectors.

All Anderson cable assemblies feature silver plated copper alloy contacts and military qualified cable. Our 400 H.Z. molded connectors include a nylon insulating sleeve around the power contacts. This reduces the danger of exposed contacts if the head becomes worn....an Anderson exclusive.



Catalog No.	Length Ft.	Description	Connector	Military Part No.
R65G1E-20A R65G1E-30A	20 — 30	2-1/0 AWG Single Conductors, No Control Lead, Silver Plated Contacts, And Non-Metallic Bands.	Attachable — Molded	MS90347-7A MS90347-8A
R65G1E-20M R65G1E-30M	20 — 30			
R65G2E-20A R65G2E-30A	20 — 30	2-2/0 AWG Single Conductors, No Control Lead, Silver Plated Contacts, And Non-Metallic Bands.	Attachable — Molded	MS90347-13A MS90347-14A
R65G2E-20M R65G2E-30M	20 — 30			
R65G3E-20A R65G3E-30A	20 — 30	2-4/0 AWG Single Conductors, No Control Lead, Silver Plated Contacts, And Non-Metallic Bands.	Attachable — Molded	MS90347-19A MS90347-20A
R65G3E-20M R65G3E-30M	20 — 30			

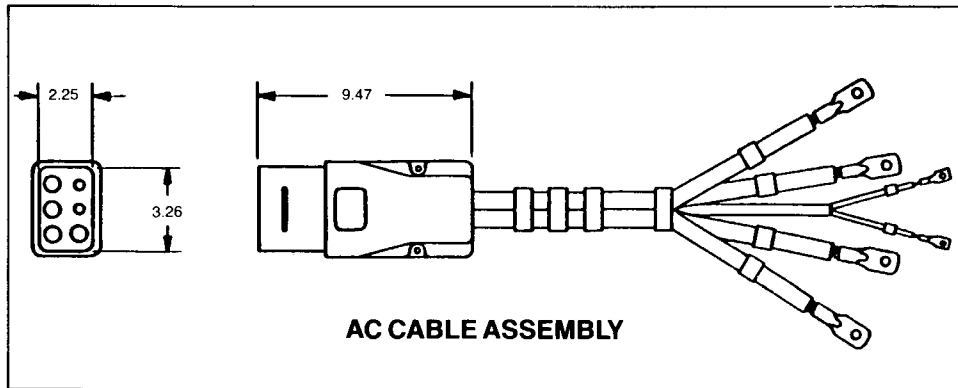


## Attachable and Molded Assemblies for A.C. Applications

Cable assemblies are fabricated to the exacting requirements of Mil-C-7974C. Anderson Airmotive Products is a qualified source of supply for MS25019, MS90328, and MS90347 assemblies.

In addition, Anderson can supply special cable configurations or lengths to meet your requirements. Contact the factory or your local Authorized Distributor for additional information.

ATTACHABLE® is a registered trademark of Anderson Airmotive Products.



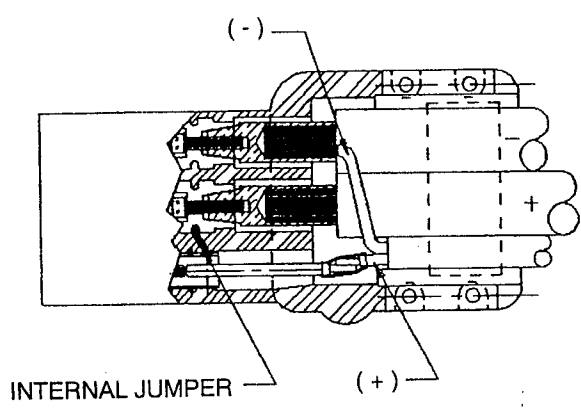
Catalog No.	Length Ft.	Description	Connector	Military Part No.
R67G4E-30A	30	4-1/0 AWG Single Conductors, No Control Lead, E and F Shunted in Plug,	Attachable	MS90328-14A
R67G4E-60A	60			MS90328-16A
R67G4E-30M	30	Silver Plated Contacts, And Non-Metallic Bands.	Molded	MS90328-14M
R67G4E-60M	60			MS90328-16M
R67G5E-30A	30	4-1/0 AWG Single Conductors, 1-12/2 Control Lead,	Attachable	MS90328-26A
R67G5E-60A	60			MS90328-28A
R67G5E-30M	30	Silver Plated Contacts, And Non-Metallic Bands.	Molded	MS90328-26M
R67G5E-60M	60			MS90328-28M
R67G21E-30A	30	4-2/0 AWG Single Conductors, No Control Leads,	Attachable	MS90328-20A
R67G21E-60A	60			MS90328-22A
R67G21E-30M	30	E and F Shunted in Plug, Silver Plated Contacts, And Non-Metallic Bands.	Molded	MS90328-20M
R67G21E-60M	60			MS90328-22M
R67G36E-30A	30	4-1/0 AWG Single Conductors, 1-12/2 Control Lead,	Attachable	MS90328-32A
R67G36E-60A	60			MS90328-34A
R67G36E-30M	30	Silver Plated Contacts, And Non-Metallic Bands.	Molded	MS90328-32M
R67G36E-60M	60			MS90328-34M

**NEW**

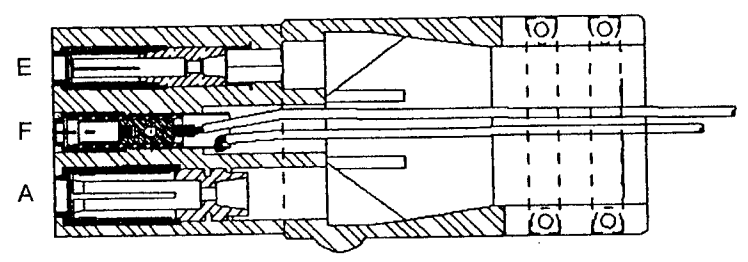
# Split Control Contacts

Sensing Lead  
ATTACHABLE®

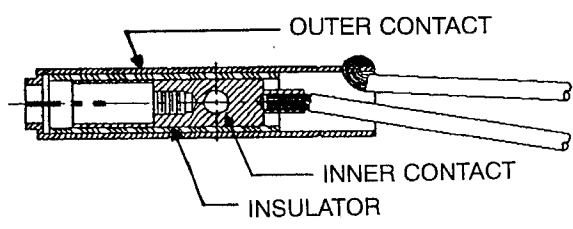
**NEW**



R72 DC CONNECTOR  
W/SPLIT CONTROL CONTACT



R67 GS AC CONNECTOR  
W/SPLIT CONTROL CONTACT



SPLIT CONTROL CONTACT

**Split Auxiliary Control Contact completes circuit only when Plug is 80-90% engaged.**

- Can be custom engineered to application
- DC version -- R72GNE
- AC version -- R67GSNE

**N - designates cable size and configuration**

**ANDERSON AIRMOTIVE PRODUCTS Co., Inc.**

994 Jefferson Street, Fall River, MA 02721 • Tel. (508) 646-0950 / Fax (508) 646-0966