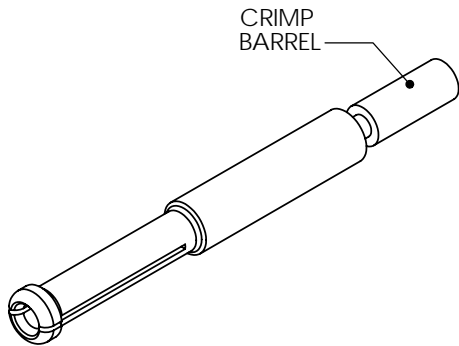

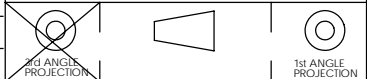


SECTION A-A



DIMENSIONS ARE IN:		<input checked="" type="checkbox"/> INCH[MM]	<input type="checkbox"/> MM[INCH]	APPROVALS		 ANDERSON POWER PRODUCTS	
UNLESS OTHERWISE STATED				DRAWN		TITLE	
TOLERANCES:				AMP		SALES OUTLINE	
DECIMALS (INCH)		DECIMALS (MM)	ANGLES	DJD		EBC DIN AUX. SOCKET CONTACT	
XX ± .02		X ± .5	± 2°	5/11/05		CAT. NO. E160-33 (4MM WIRE)	
SURFACE FINISH:				MFG APP		SIZE	
MACHINED		128 [3.2]	<input checked="" type="checkbox"/>	CHB		DWG NO.	
MOLDED		64 [1.6]	<input checked="" type="checkbox"/>	UFN		E160-33 S1	
MATERIAL: COPPER ALLOY				QC APP		REV.	
FINISH: SILVER PLATE				ENG APP		0	
				DAM		SCALE	
				5/11/05		NONE	
				-CAD GENERATED DRAWING- DO NOT MANUALLY UPDATE DO NOT SCALE		CADFILE	
						02326	
						SHEET	
						1 OF 1	

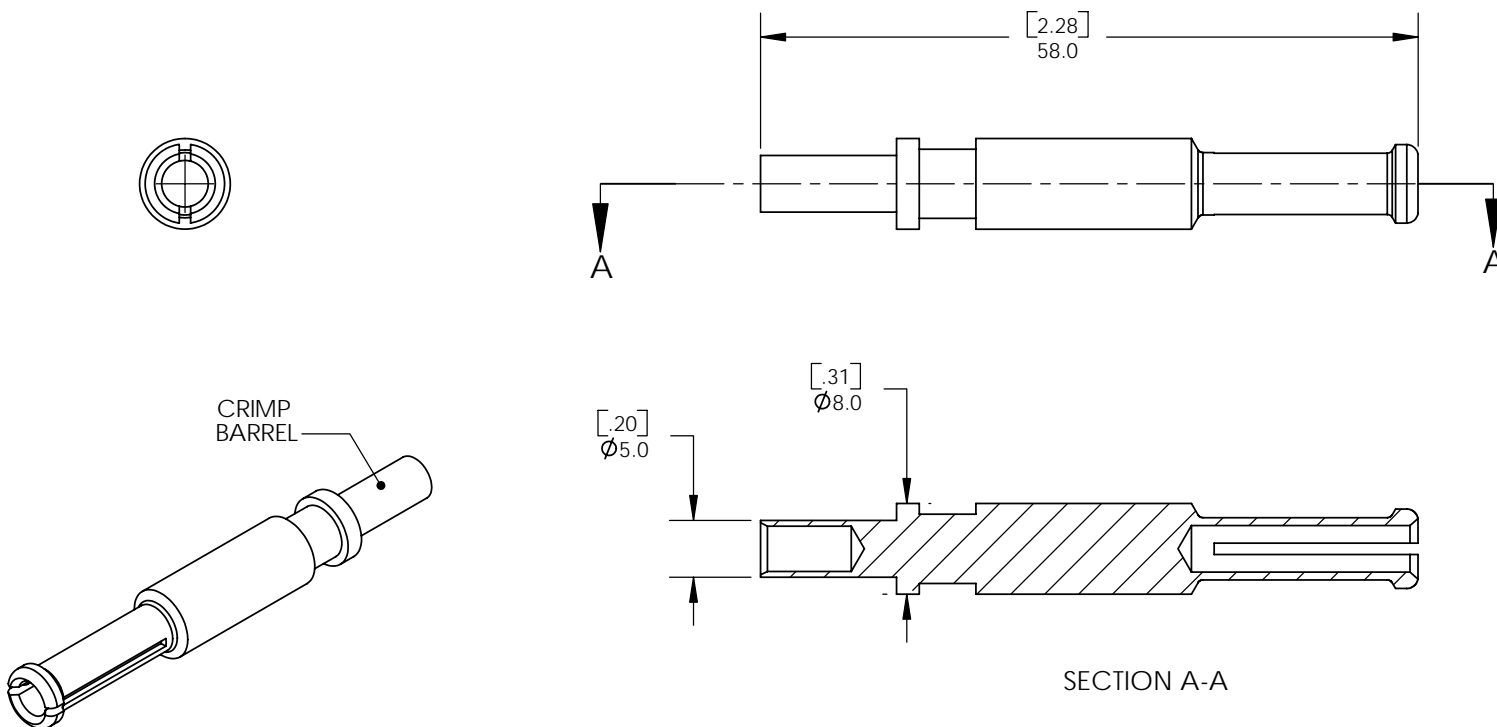
*	*****	***	*****
REV.	DESCRIPTION OF CHANGES	APPROVED	DATE




THE INFORMATION CONTAINED IN THIS DRAWING IS THE SOLE PROPERTY OF ANDERSON POWER PRODUCTS. ANY REPRODUCTION IN PART OR WHOLE WITHOUT THE WRITTEN PERMISSION OF ANDERSON POWER PRODUCTS IS PROHIBITED.

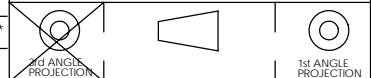
Copyright 2005

ANDERSON POWER PRODUCTS RESERVES THE RIGHT TO ALTER PRODUCT TYPES, THEIR TECHNICAL DATA, DIMENSION, STYLE AND ACCESSORIES WITHOUT PRIOR NOTIFICATION.



SECTION A-A

DIMENSIONS ARE IN:		<input checked="" type="checkbox"/> INCH[MM]	<input type="checkbox"/> MM[INCH]	APPROVALS			 ANDERSON POWER PRODUCTS		
UNLESS OTHERWISE STATED				DRAWN		TITLE			
TOLERANCES:				AMP		5/11/05		SALES OUTLINE	
DECIMALS (INCH) DECIMALS (MM) ANGLES				CHECKED		5/11/05		EBC DIN AUX. SOCKET CONTACT	
XX ± .02 X ± .5 ± 2°				MFG APP		5/11/05		CAT. NO. E160-31 (6MM WIRE)	
SURFACE FINISH:				QC APP		5/11/05		SIZE	
MACHINED 128 [3.2] ✓				ENG APP		5/11/05		A/A4	
MOLDED 64 [1.6] ✓				DAM		5/11/05		DWG NO.	
MATERIAL: COPPER ALLOY				SCALE		NONE		CADFILE	
FINISH: SILVER PLATE				DO NOT MANUALLY UPDATE		02324		SHEET	
DO NOT SCALE				DO NOT SCALE		1 OF 1		REV. 0	



REV.	DESCRIPTION OF CHANGES	APPROVED	DATE
8	*****	***	*****