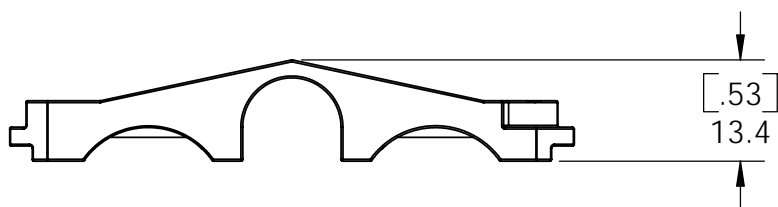
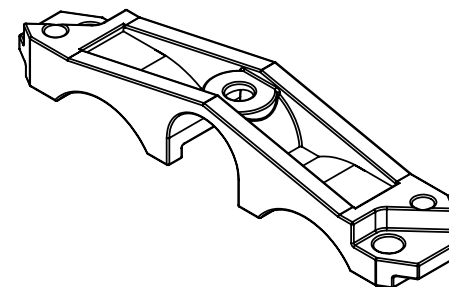
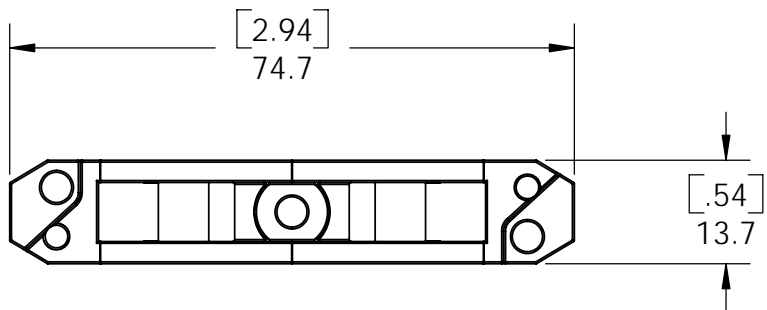


THE INFORMATION CONTAINED IN THIS DRAWING IS THE SOLE PROPERTY OF ANDERSON POWER PRODUCTS. ANY REPRODUCTION IN PART OR WHOLE WITHOUT THE WRITTEN PERMISSION OF ANDERSON POWER PRODUCTS IS PROHIBITED.

Copyright 2006

ANDERSON POWER PRODUCTS RESERVES THE RIGHT TO ALTER PRODUCT TYPES, THEIR TECHNICAL DATA, DIMENSION, STYLE AND ACCESSORIES WITHOUT PRIOR NOTIFICATION.



PART NO.	DESCRIPTION	MATERIAL	COLOR
160-6A	TOP CABLE CLAMP (160A)	NYLON	BLACK
E160-6A	TOP CABLE CLAMP (160A)	PP	GRAY
EP160-6A	TOP CABLE CLAMP (160A)	PBT-PC BLEND	GRAY

DIMENSIONS ARE IN:	INCH[MM]	MM[INCH]
UNLESS OTHERWISE STATED		
TOLERANCES:		
DECIMALS (INCH)	DECIMALS (MM)	ANGLES
XX ± .02	X ± .5	± 2°
SURFACE FINISH:		
MACHINED	128 [3.2]	✓
MOLDED	64 [1.6]	✓
MATERIAL: SEE DATA SHEET FOR MATERIAL SPECS		
FINISH: N/A		

APPROVALS	
DRAWN	AMP 6/7/05
CHECKED	DJD 6/8/05
MFG APP	CHB 6/7/05
QC APP	UFN 6/7/05
ENG APP	DAM 6/7/05

**ANDERSON POWER PRODUCTS**

TITLE: SALES OUTLINE  
160A CABLE CLAMP, TOP

SIZE: A/A4    DWG NO.: E160-6A S1    REV.: 1

SCALE: NONE    CADFILE: 02349    SHEET: 1 OF 1

REV.	DESCRIPTION OF CHANGES	APPROVED	DATE
1	ECRN 13948 - ADD "EP" & "EN" SERIES PART NUMBERS	AMS	01/19/06