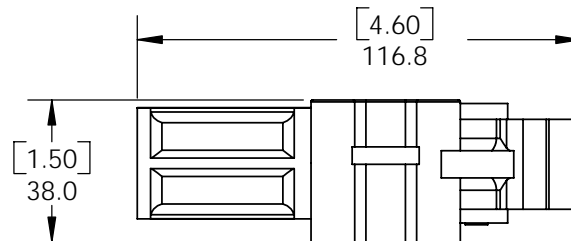
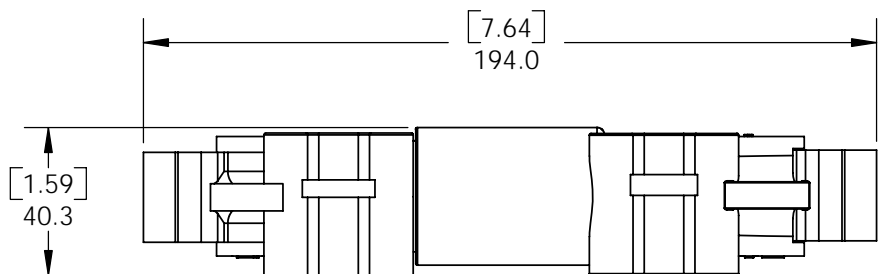
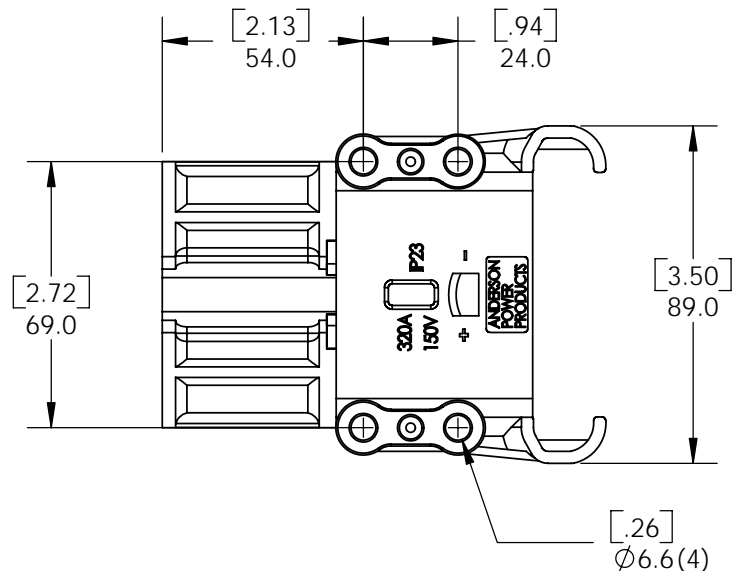
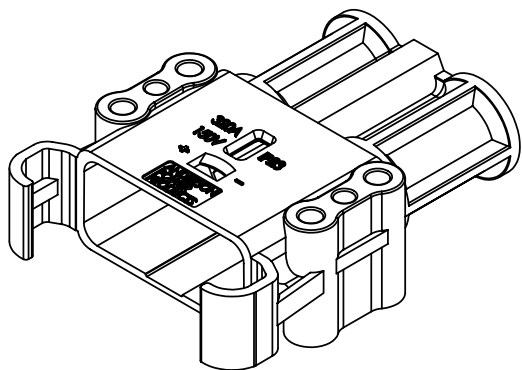


THE INFORMATION CONTAINED IN THIS DRAWING IS THE SOLE PROPERTY OF ANDERSON POWER PRODUCTS. ANY REPRODUCTION IN PART OR WHOLE WITHOUT THE WRITTEN PERMISSION OF ANDERSON POWER PRODUCTS IS PROHIBITED.

Copyright 2006

ANDERSON POWER PRODUCTS RESERVES THE RIGHT TO ALTER PRODUCT TYPES, THEIR TECHNICAL DATA, DIMENSION, STYLE AND ACCESSORIES WITHOUT PRIOR NOTIFICATION.



MATED PAIR

PART NO.	DESCRIPTION	MATERIAL	COLOR
320-2	ABC SOCKET HSG. (320A)	NYLON	BLACK
E320-2	EBC SOCKET HSG. (320A)	PP	GRAY
EN320-2	EBC SOCKET HSG. (320A)	NYLON	BLACK
EP320-2	EBC SOCKET HSG. (320A)	PBT-PC BLEND	GRAY

DIMENSIONS ARE IN:	<input checked="" type="checkbox"/> INCH[MM]	<input type="checkbox"/> MM[INCH]
UNLESS OTHERWISE STATED		
TOLERANCES:		
DECIMALS (INCH)	DECIMALS (MM)	ANGLES
XX ±.02	X ±.5	±2°
SURFACE FINISH:		
MACHINED	128 [3.2]	✓
MOLDED	64 [1.6]	✓
MATERIAL: SEE DATA SHEET FOR MATERIAL SPECS		
FINISH: N/A		

APPROVALS	
DRAWN	AMP 6/7/05
CHECKED	DJD 6/9/05
MFG APP	CHB 6/7/05
QC APP	JJA 6/9/05
ENG APP	DAM 6/8/05

ANDERSON POWER PRODUCTS		
TITLE		
SALES OUTLINE 320A FEMALE SOCKET HOUSING		
SIZE	DWG NO.	REV.
A/A4	E320-2S1	2
SCALE	CADFILE	SHEET
NONE	02356	1 OF 1

2	ECRN 14013 - CHANGES PER ISIR 06-004A	AMS	05/24/06
1	ECRN 13946 - ADD "EP" & "EN" SERIES PART NUMBERS	AMS	01/19/06
REV.	DESCRIPTION OF CHANGES	APPROVED	DATE

-CAD GENERATED DRAWING-
DO NOT MANUALLY UPDATE
DO NOT SCALE