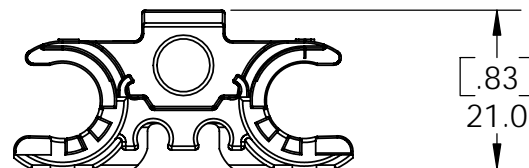
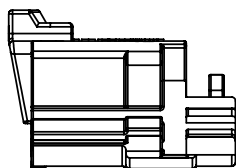
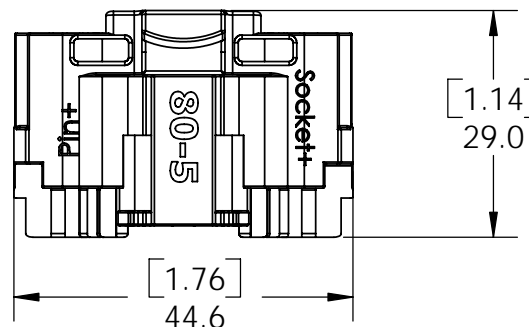
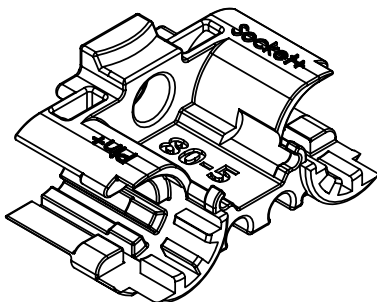


THE INFORMATION CONTAINED IN THIS DRAWING IS THE SOLE PROPERTY OF ANDERSON POWER PRODUCTS. ANY REPRODUCTION IN PART OR WHOLE WITHOUT THE WRITTEN PERMISSION OF ANDERSON POWER PRODUCTS IS PROHIBITED.

Copyright 2006

ANDERSON POWER PRODUCTS RESERVES THE RIGHT TO ALTER PRODUCT TYPES, THEIR TECHNICAL DATA, DIMENSION, STYLE AND ACCESSORIES WITHOUT PRIOR NOTIFICATION.



PART NO.	DESCRIPTION	MATERIAL	COLOR
80-5	ABC CONTACT HOLDER (80A)	NYLON	BLACK
E80-5	EBC CONTACT HOLDER (80A)	PP	GRAY
EN80-5	EBC CONTACT HOLDER (80A)	NYLON	BLACK
EP80-5	EBC CONTACT HOLDER (80A)	PBT-PC BLEND	GRAY

DIMENSIONS ARE IN:	INCH [MM]	MM[INCH]
UNLESS OTHERWISE STATED		
TOLERANCES:		
DECIMALS (INCH)	DECIMALS (MM)	ANGLES
.XX ±.02	.X ±.5	±2°
SURFACE FINISH:		
MACHINED	128 [3.2]	✓
MOLDED	64 [1.6]	✓
MATERIAL: SEE DATA SHEETS FOR MATERIAL SPECS		
FINISH: N/A		
3rd ANGLE PROJECTION		3rd ANGLE PROJECTION

APPROVALS	
DRAWN	AMP 7/6/05
CHECKED	LH 7/7/05
MFG APP	CHB 7/6/05
QC APP	FR 7/11/05
ENG APP	DAM 7/6/05

ANDERSON POWER PRODUCTS		
TITLE		
SALES OUTLINE CONTACT HOLDER FOR 80A DIN CONNECTORS		
SIZE	DWG NO.	REV.
A/A4	E80-5S1	2
SCALE	CADFILE	SHEET
NONE	02397	1 OF 1

REV.	DESCRIPTION OF CHANGES	APPROVED	DATE
2	ECRN 13971 - REDUCE THRU HOLE TO Ø7.00[.276]	AMS	03/03/06
1	ECRN 13946 - ADD "EP" & "EN" SERIES PART NUMBERS	AMS	01/19/06