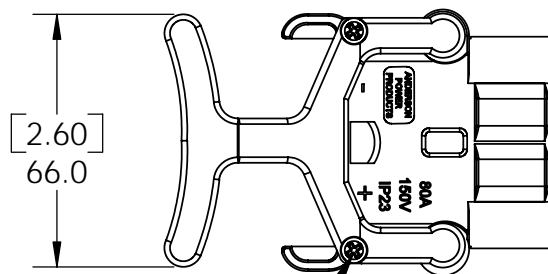
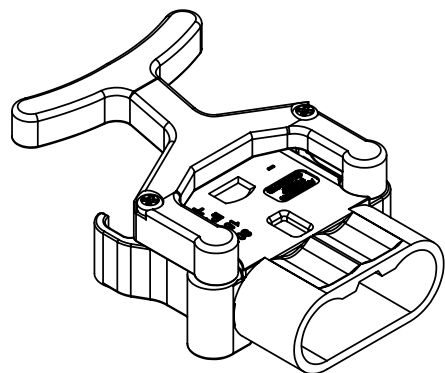


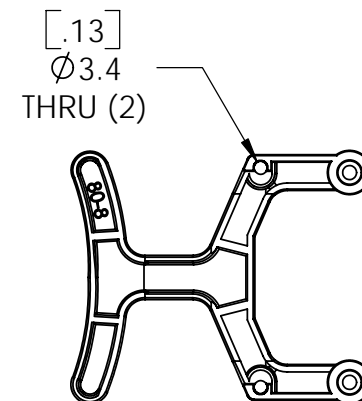
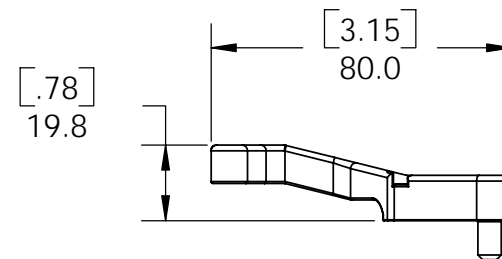
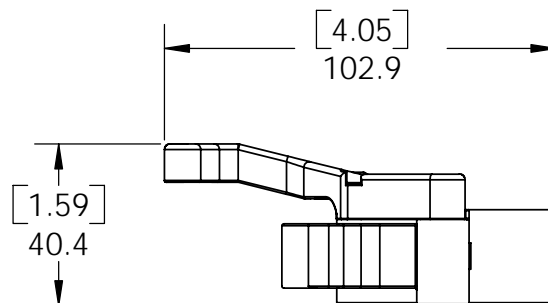
THE INFORMATION CONTAINED IN THIS DRAWING IS THE SOLE PROPERTY OF ANDERSON POWER PRODUCTS. ANY REPRODUCTION IN PART OR WHOLE WITHOUT THE WRITTEN PERMISSION OF ANDERSON POWER PRODUCTS IS PROHIBITED.

Copyright 2006

ANDERSON POWER PRODUCTS RESERVES THE RIGHT TO ALTER PRODUCT TYPES, THEIR TECHNICAL DATA, DIMENSION, STYLE AND ACCESSORIES WITHOUT PRIOR NOTIFICATION.



(2) SELF-TAPPING SCREWS



MOUNTING ORIENTATION

NOTES:

- KIT INCLUDES HANDLE AND (2) SELF-TAPPING SCREWS
- FOR USE WITH 80A DIN CONNECTORS

PART NO.	DESCRIPTION	MATERIAL	COLOR
80-89	80A HANDLE KIT	NYLON	BLACK
E80-89	80A HANDLE KIT	PP	GRAY
EP80-89	80A HANDLE KIT	PBT-PC BLEND	GRAY

DIMENSIONS ARE IN:	INCH [MM]	MM [INCH]
UNLESS OTHERWISE STATED		
TOLERANCES:		
DECIMALS (INCH)	DECIMALS (MM)	ANGLES
XX ± .02	X ± .5	± 2°
SURFACE FINISH:		
MACHINED	128 [3.2] ✓	
MOLDED	64 [1.6] ✓	
MATERIAL: SEE DATA SHEETS FOR MATERIAL SPECS		
FINISH: AS MOLDED		

APPROVALS	
DRAWN	AMP 7/6/05
CHECKED	LH 7/11/05
MFG APP	CHB 7/6/05
QC APP	FR 7/13/05
ENG APP	DAM 7/6/05

ANDERSON POWER PRODUCTS		
TITLE		
SALES OUTLINE 80A HANDLE		
SIZE	DWG NO.	REV.
A/A4	E80-8S1	3
SCALE	CADFILE	SHEET
NONE	02400	1 OF 1

REV.	DESCRIPTION OF CHANGES	APPROVED	DATE
3	ECRN 13963 - CHANGES PER ISIR	AMS	02/16/06
2	ECRN 13948 - ADD "EP" & "EN" SERIES PART NUMBERS	AMS	01/19/06
1	ECRN 13865 - ADD CLEARANCE FOR CLAMPS	AMP	07/20/05