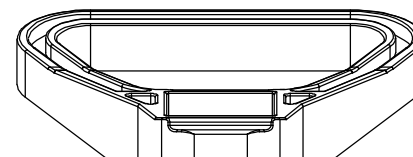
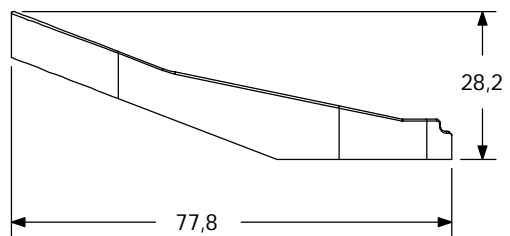
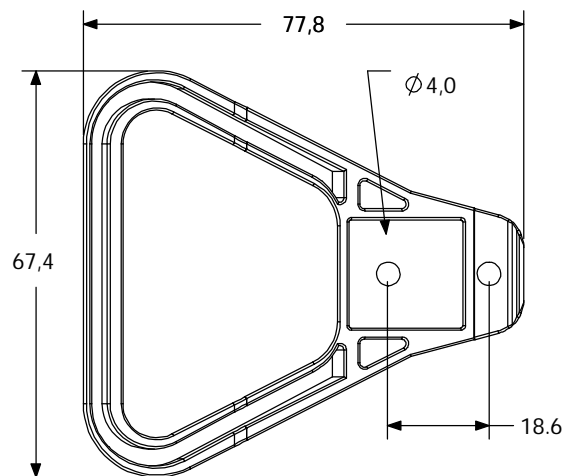


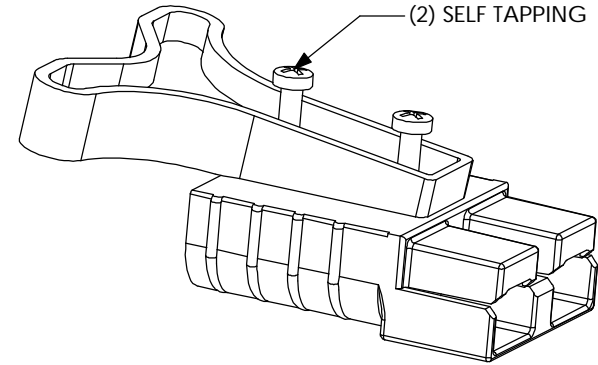
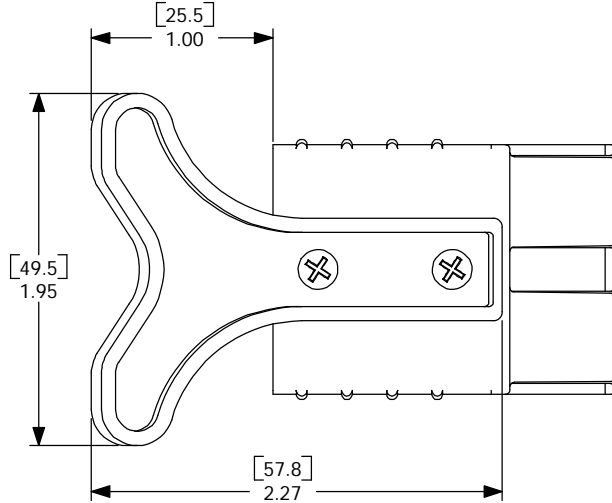
SB 50 "A-frame"-Handgriff



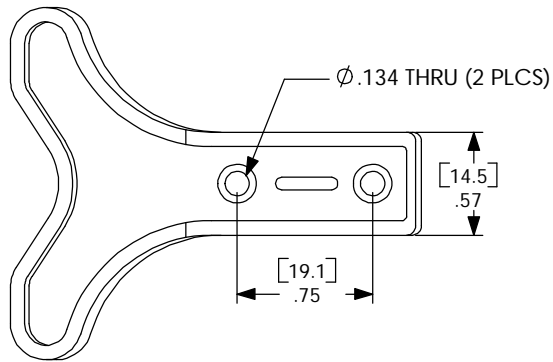
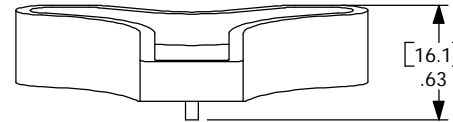
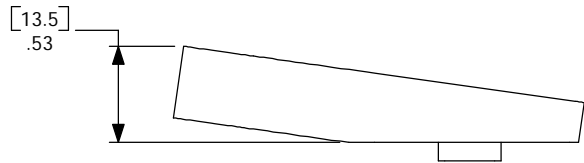
CAT. NO.	SERIES	COLOR
5-995G1	SB 50	GRAU
5-995G2	SB 50	ROT

THE INFORMATION CONTAINED IN THIS DRAWING IS THE SOLE PROPERTY OF ANDERSON POWER PRODUCTS. ANY REPRODUCTION IN PART OR WHOLE WITHOUT THE WRITTEN PERMISSION OF ANDERSON POWER PRODUCTS IS PROHIBITED.

DATE	4/5/01
BY:	CMS
DESCRIPTION OF CHANGES	ECRN 13383- REDRAWN
REV.	1



MOUNTING ORIENTATION



NOTES:

- HANDLE COLOR- RED
- SCREWS: STEEL, ZINC PLATED
- KIT INCLUDES HANDLE AND TWO SELF TAPPING SCREWS

ITEM NO.	PART OR IDENTIFYING NO.	NOMENCLATURE OR DESCRIPTION	MATERIAL SPECIFICATION	QTY REQD
COPYRIGHT 2001 ANDERSON POWER PRODUCTS. ALL RIGHTS RESERVED. UNAUTHORIZED REPRODUCTION HEREBY PROHIBITED.				
DIMENSIONS ARE IN INCHES DIMENSIONS IN PARENTHESES [] ARE IN MILLIMETERS		CAD GENERATED DRAWING. DO NOT MANUALLY UPDATE		<b>ANDERSON POWER PRODUCTS</b>
TOLERANCES ARE: 2PL- ±.02 [±.5]		APPROVALS	DATE	
MATERIALS: PC		DRAWN	GN 6/3/96	CATALOG NUMBER: SB50-HDL-RED SB50 PLASTIC HANDLE
FINISH AS MOLDED		CHECKED	CMS 8/25/97	
NEXT ASSY		USED ON	RESP ENG	UFN 8/26/97
APPLICATION		DO NOT SCALE DRAWING	MFG ENG	KJ 8/25/97
			QUAL ENG	DJM 8/26/97
			SCALE	NONE
			CADFILES/01422	
			SHEET 1 OF 1	

ANDERSON POWER PRODUCTS

CATALOG NUMBER:  
SB50-HDL-RED  
SB50 PLASTIC HANDLE

SIZE SPECIFICATION:  
113923S1

REV. 1