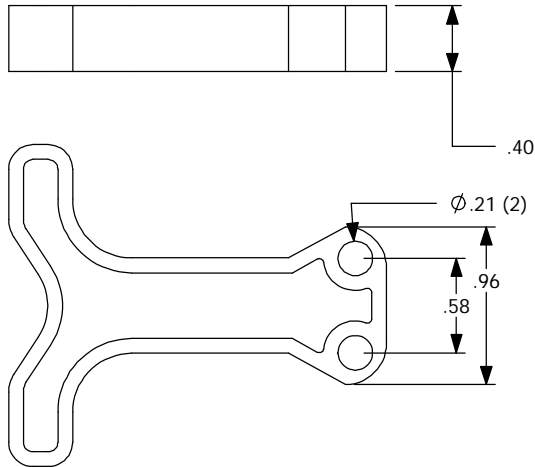
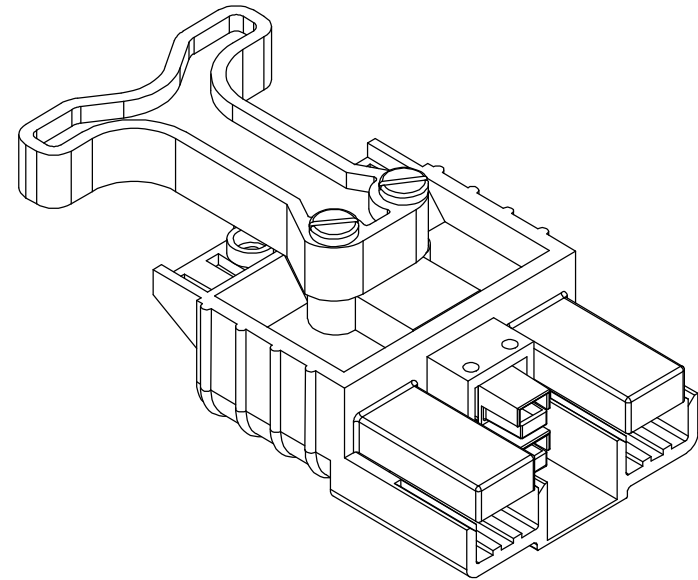
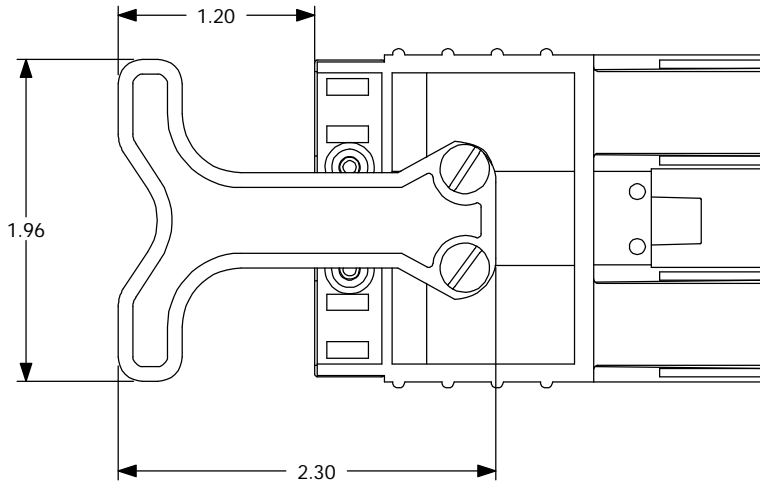


THE INFORMATION CONTAINED IN THIS DRAWING IS THE SOLE PROPERTY OF ANDERSON POWER PRODUCTS. ANY REPRODUCTION IN PART OR WHOLE WITHOUT THE WRITTEN PERMISSION OF ANDERSON POWER PRODUCTS IS PROHIBITED.

D	DATE	**
	BY:	**
C	DESCRIPTION OF CHANGES	**
	REV.	**



CAT. NUMBER	COLOR
SBE80HDL-ORN	ORANGE
SBE80HDL-RED	RED
SBE80HDL-YEL	YELLOW
SBE80HDL-WHT	WHITE

NOTES:

- HANDLE COLOR- RED, ORANGE, YELLOW, WHITE
- SCREWS AND NUTS: STEEL, ZINC PLATED
- KIT INCLUDES HANDLE, TWO SCREWS AND TWO NUTS

ITEM NO.	PART OR IDENTIFYING NO.	NOMENCLATURE OR DESCRIPTION	MATERIAL SPECIFICATION	QTY REQD
COPYRIGHT 2001 ANDERSON POWER PRODUCTS. ALL RIGHTS RESERVED. UNAUTHORIZED REPRODUCTION HEREBY PROHIBITED.				
DIMENSIONS ARE IN INCHES DIMENSIONS IN PARENTHESES [] ARE IN MILLIMETERS		CAD GENERATED DRAWING. DO NOT MANUALLY UPDATE		ANDERSON POWER PRODUCTS
TOLERANCES ARE: 2PL- $\pm .02$ [$\pm .5$]		APPROVALS	DATE	
MATERIALS: PC		CHECKED	DJD	4/27/01
FINISH AS MOLDED		RESP ENG	CHB	4/27/01
NEXT ASSY		MFG ENG	CHB	4/27/01
USED ON		QUAL ENG	RPO	4/23/01
APPLICATION		DO NOT SCALE DRAWING		SCALE NONE
SPECIFICATION:			114305S1	REV. 0
CADFILES/01421			SHEET 1 OF 1	