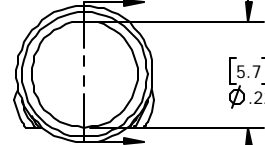
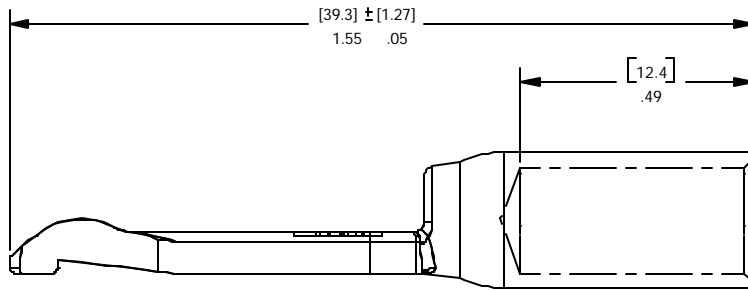
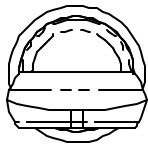
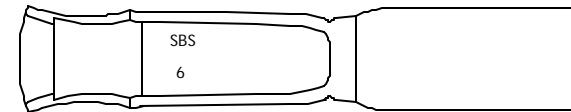
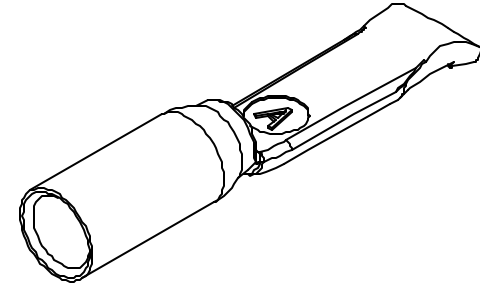
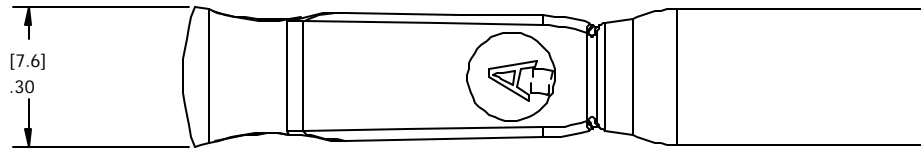


THE INFORMATION CONTAINED IN THIS DRAWING IS THE SOLE PROPERTY OF ANDERSON POWER PRODUCTS. ANY REPRODUCTION IN PART OR WHOLE WITHOUT THE WRITTEN PERMISSION OF ANDERSON POWER PRODUCTS IS PROHIBITED.

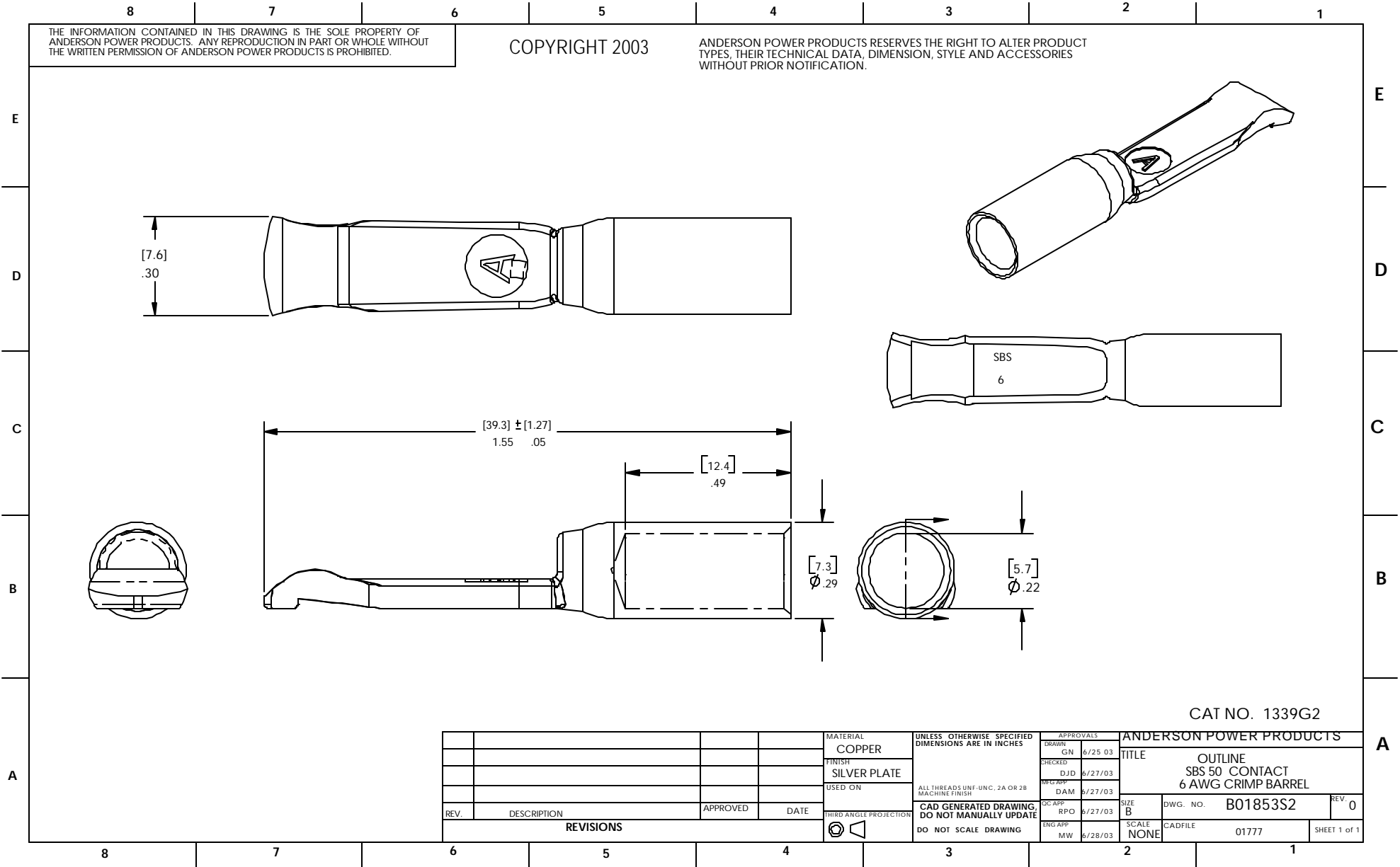
COPYRIGHT 2003

ANDERSON POWER PRODUCTS RESERVES THE RIGHT TO ALTER PRODUCT TYPES, THEIR TECHNICAL DATA, DIMENSION, STYLE AND ACCESSORIES WITHOUT PRIOR NOTIFICATION.



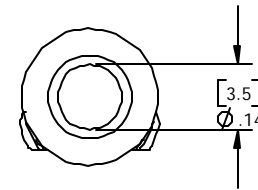
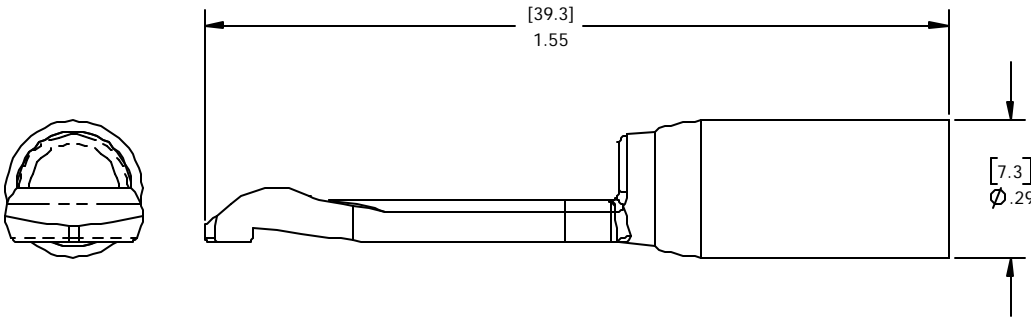
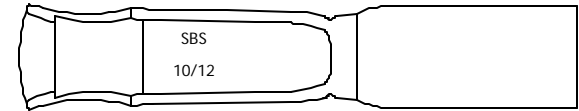
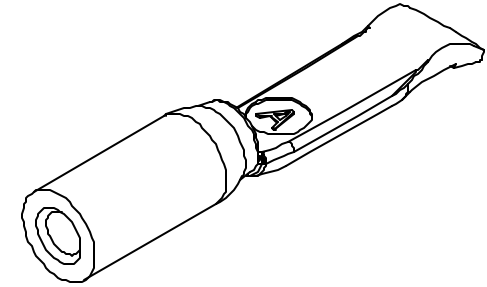
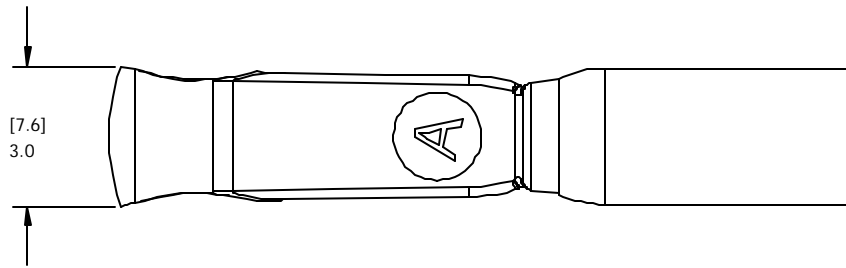
CAT NO. 1339G2

				MATERIAL COPPER	UNLESS OTHERWISE SPECIFIED DIMENSIONS ARE IN INCHES	APPROVALS		ANDERSON POWER PRODUCTS		
				FINISH SILVER PLATE		DRAWN GN	6/25/03		TITLE OUTLINE SBS 50 CONTACT 6 AWG CRIMP BARREL	
				USED ON		CHECKED DJD	6/27/03		DWG. NO. B01853S2	
				THIRD ANGLE PROJECTION		MFG APP DAM	6/27/03		SIZE B	REV. 0
REV.	DESCRIPTION	APPROVED	DATE		CAD GENERATED DRAWING, DO NOT MANUALLY UPDATE	QC APP RPO	6/27/03		SCALE NONE	
REVISIONS					DO NOT SCALE DRAWING	ENG APP MW	6/28/03		CADFILE 01777	



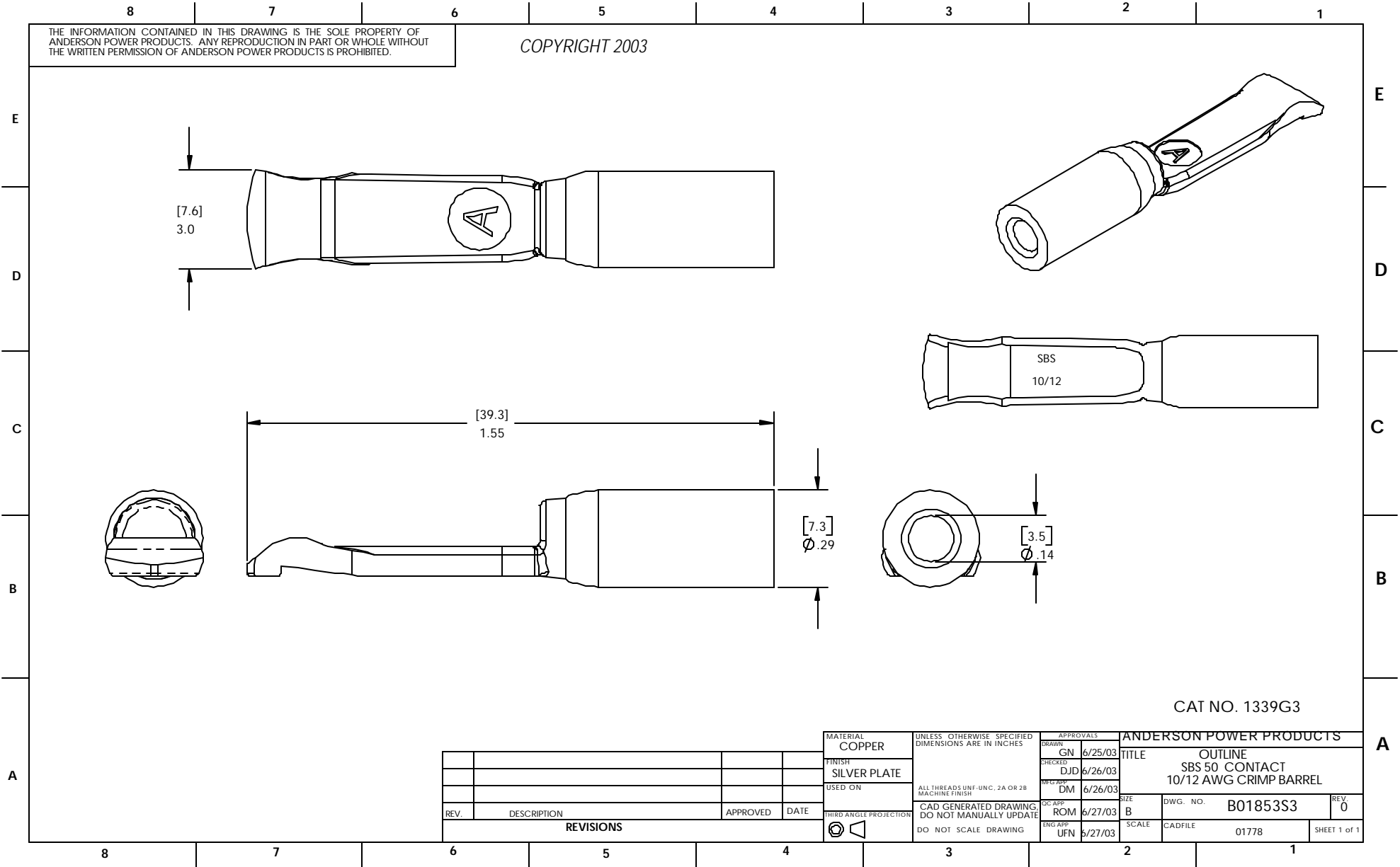
THE INFORMATION CONTAINED IN THIS DRAWING IS THE SOLE PROPERTY OF ANDERSON POWER PRODUCTS. ANY REPRODUCTION IN PART OR WHOLE WITHOUT THE WRITTEN PERMISSION OF ANDERSON POWER PRODUCTS IS PROHIBITED.

COPYRIGHT 2003



CAT NO. 1339G3

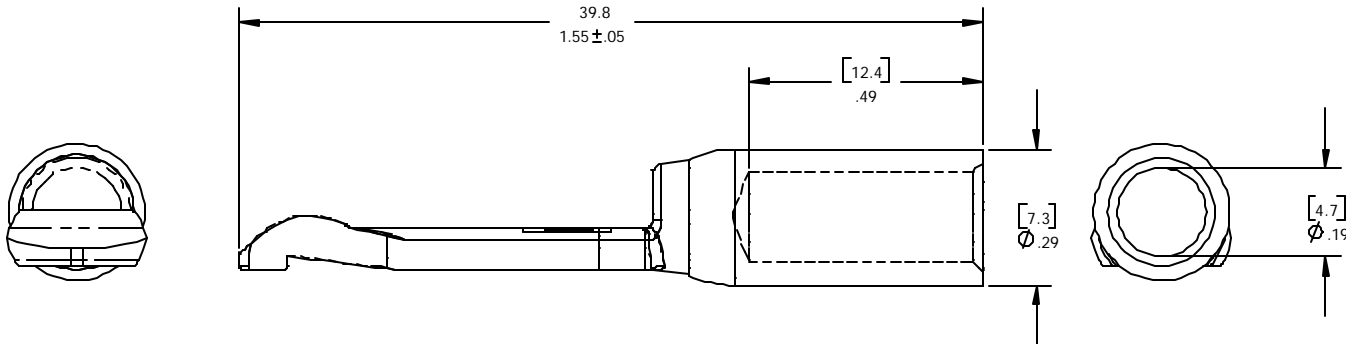
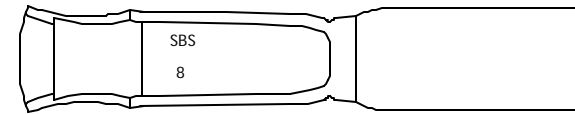
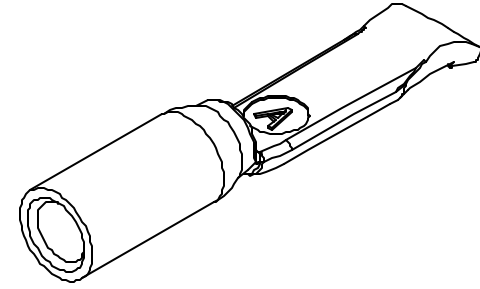
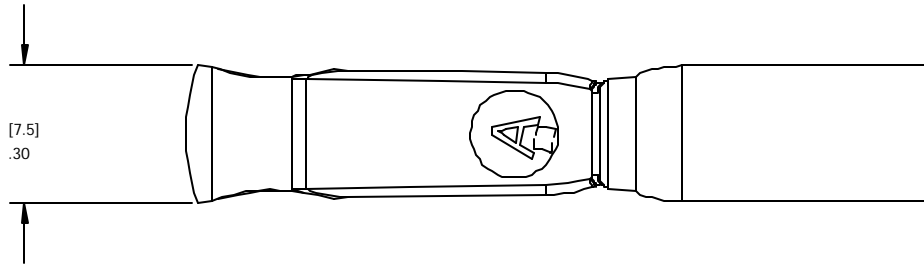
MATERIAL COPPER		UNLESS OTHERWISE SPECIFIED DIMENSIONS ARE IN INCHES		APPROVALS		ANDERSON POWER PRODUCTS	
FINISH SILVER PLATE		ALL THREADS UNF-UNC, 2A OR 2B MACHINE FINISH		DRAWN GN 6/25/03	TITLE OUTLINE SBS 50 CONTACT 10/12 AWG CRIMP BARREL		
USED ON		CAD GENERATED DRAWING. DO NOT MANUALLY UPDATE		CHECKED DJD 6/26/03	SIZE B	DWG. NO. B01853S3	REV. 0
REV.		THIRD ANGLE PROJECTION		DM 6/26/03	SCALE	CADFILE 01778	SHEET 1 of 1
DESCRIPTION		DO NOT SCALE DRAWING		ROM 6/27/03			
REVISIONS		DO NOT SCALE DRAWING		ENF 5/27/03			
APPROVED	DATE						



THE INFORMATION CONTAINED IN THIS DRAWING IS THE SOLE PROPERTY OF ANDERSON POWER PRODUCTS. ANY REPRODUCTION IN PART OR WHOLE WITHOUT THE WRITTEN PERMISSION OF ANDERSON POWER PRODUCTS IS PROHIBITED.

COPYRIGHT 2003

ANDERSON POWER PRODUCTS RESERVES THE RIGHT TO ALTER PRODUCT TYPES, THEIR TECHNICAL DATA, DIMENSION, STYLE AND ACCESSORIES WITHOUT PRIOR NOTIFICATION.



CAT NO. 1339G5

				MATERIAL COPPER	UNLESS OTHERWISE SPECIFIED DIMENSIONS ARE IN INCHES TOLERANCES DECIMALS FRACTIONS ANGLES 2 PL ±.010 ±1/32	APPROVALS		ANDERSON POWER PRODUCTS		
				FINISH SILVER PLATE		DRAWN AB	6-27-03	TITLE OUTLINE SBS 50 CONTACT 8 AWG CRIMP BARREL		
				USED ON		CHECKED DJD	6-30-03	MFG APP DAM	7-1-03	SIZE B
				THIRD ANGLE PROJECTION		ALL THREADS UNF-UNC, 2A OR 2B MACHINE FINISH	QC APP RPO	7-1-03	DWG. NO.	B01853S5
REV.	DESCRIPTION	APPROVED	DATE		CAD GENERATED DRAWING, DO NOT MANUALLY UPDATE	ENG APP MW	7-1-03	SCALE NONE	CADFILE 01780	
REVISIONS					DO NOT SCALE DRAWING				SHEET 1 of 1	