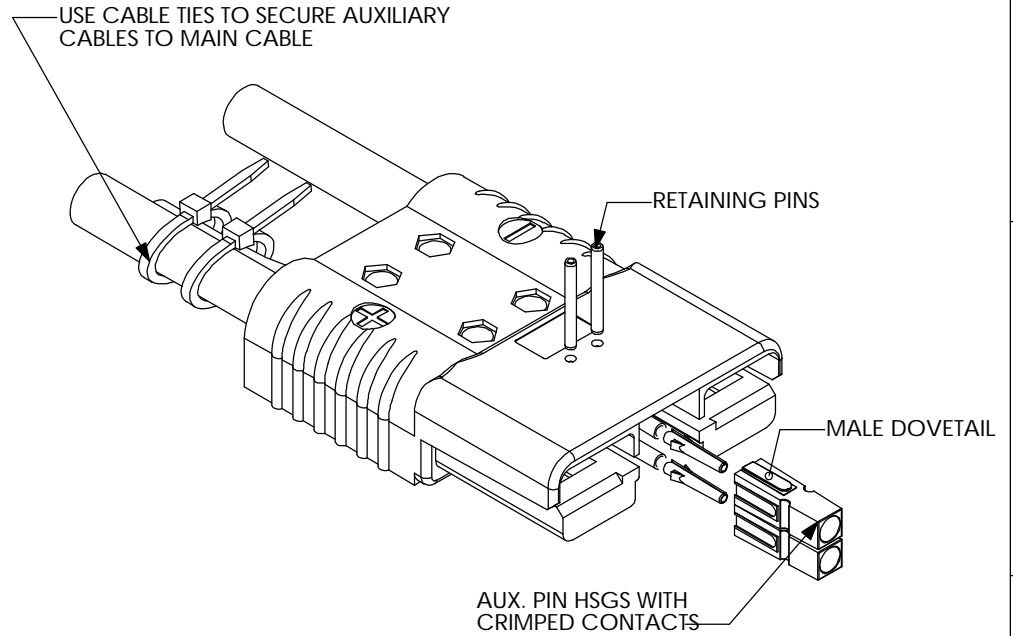


THE INFORMATION CONTAINED IN THIS DRAWING IS THE SOLE PROPERTY OF ANDERSON POWER PRODUCTS. ANY REPRODUCTION IN PART OR WHOLE WITHOUT THE WRITTEN PERMISSION OF ANDERSON POWER PRODUCTS IS PROHIBITED.

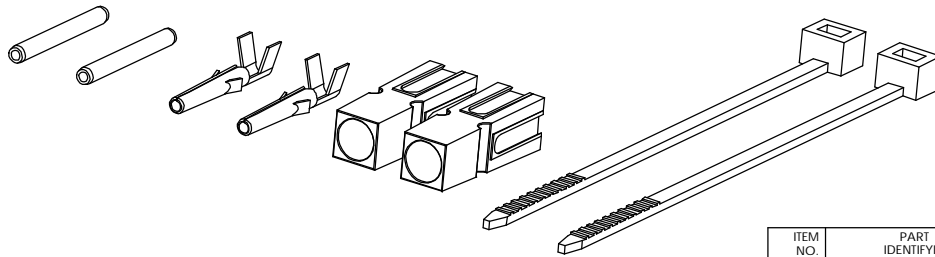
DATE	
BY:	
DESCRIPTION OF CHANGES	
REV.	

COMPONENTS INCLUDED IN 6367G1 CHARGER KEY AND PIN

COMPONENT	QTY
PP10 PIN HOUSING	2
PP10 PIN CONTACT	2
RETAINING PINS	2
CABLE TIES	2



EXPLODED VIEW



NOTES:

- PIN CONTACT TO BE CRIMPED ONTO 14/16 AWG WIRE PRIOR TO INSERTION INTO THE PIN HOUSING
- CONNECTOR SOLD SEPARATELY

ITEM NO.	PART OR IDENTIFYING NO.	NOMENCLATURE OR DESCRIPTION	MATERIAL SPECIFICATION	QTY REQD
COPYRIGHT 2000 ANDERSON POWER PRODUCTS. ALL RIGHTS RESERVED. UNAUTHORIZED REPRODUCTION HEREBY PROHIBITED.				
DIMENSIONS ARE IN INCHES DIMENSIONS IN PARENTHESES [] ARE IN MILLIMETERS		CAD GENERATED DRAWING. DO NOT MANUALLY UPDATE		ANDERSON POWER PRODUCTS
TOLERANCES ARE: 2PL- ±.02 [±.5]		APPROVALS	DATE	
MATERIALS: --		DRAWN	CMS 5/12/00	CATALOG NUMBER 6367G1 CHARGER KEY AND PIN FOR SBX/SBE CONNECTORS
FINISH --		CHECKED	DJD 5/16/00	
NEXT ASSY		USED ON	RESP ENG	UFN 5/22/00
APPLICATION		DO NOT SCALE DRAWING	MFG ENG	CHB 5/22/00
			QUAL ENG	RPO 5/22/00
			SCALE	NONE
			CADFILES/01228	
			SHEET 1 OF 1	

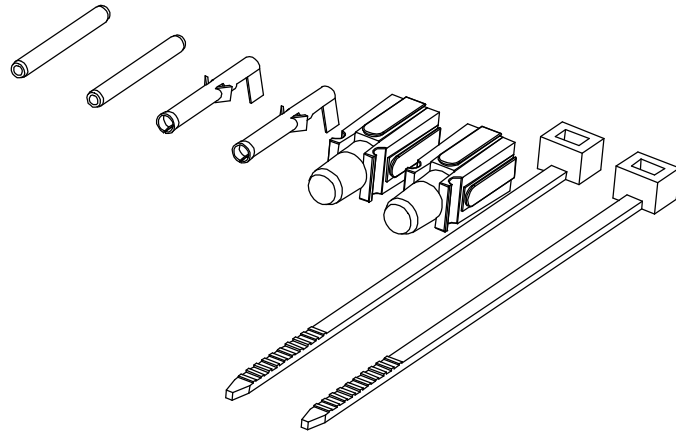
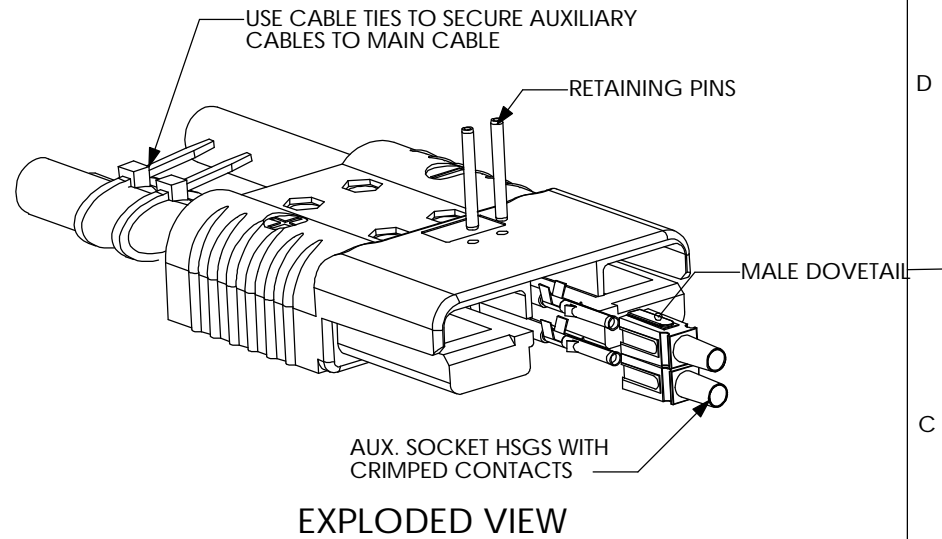
SIZE	SPECIFICATION:	REV.
A	114252S1	0

THE INFORMATION CONTAINED IN THIS DRAWING IS THE SOLE PROPERTY OF ANDERSON POWER PRODUCTS. ANY REPRODUCTION IN PART OR WHOLE WITHOUT THE WRITTEN PERMISSION OF ANDERSON POWER PRODUCTS IS PROHIBITED.

DATE	
BY:	
DESCRIPTION OF CHANGES	
REV.	

COMPONENTS INCLUDED IN 6366G2 CHARGER KEY AND SOCKET

COMPONENT	QTY
PP10 SOCKET HOUSING	2
PP10 SOCKET CONTACT	2
RETAINING PINS	2
CABLE TIES	2



NOTES:

1. SOCKET CONTACT TO BE CRIMPED ONTO 14/16 AWG WIRE PRIOR TO INSERTION INTO THE SOCKET HOUSING
2. CONNECTOR SOLD SEPARATELY

ITEM NO.	PART OR IDENTIFYING NO.	NOMENCLATURE OR DESCRIPTION	MATERIAL SPECIFICATION	QTY REQD
COPYRIGHT 2000 ANDERSON POWER PRODUCTS. ALL RIGHTS RESERVED. UNAUTHORIZED REPRODUCTION HEREBY PROHIBITED.				
DIMENSIONS ARE IN INCHES DIMENSIONS IN PARENTHESES [] ARE IN MILLIMETERS		CAD GENERATED DRAWING. DO NOT MANUALLY UPDATE	ANDERSON POWER PRODUCTS	
TOLERANCES ARE: 2PL- ±.02 [±.5]		APPROVALS	DATE	
MATERIALS: --		DRAWN	CMS	5/11/00
FINISH		CHECKED	DJD	5/16/00
NEXT ASSY		RESP ENG	UFN	5/22/00
USED ON		MFG ENG	CHB	5/22/00
APPLICATION		QUAL ENG	RPO	5/22/00
DO NOT SCALE DRAWING		SCALE	NONE	
			SIZE	A
			SPECIFICATION:	114251S1
			REV.	0
			CADFILES/01227	
			SHEET 1 OF 1	