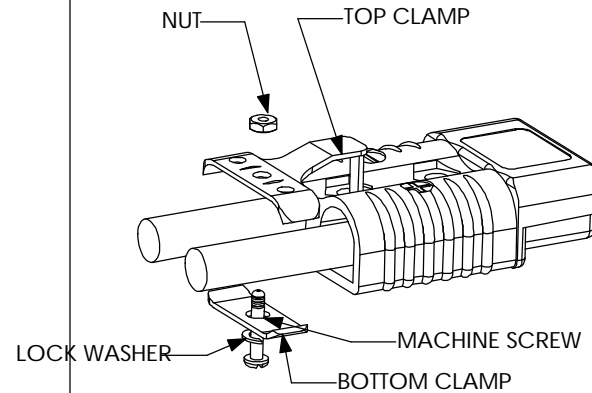
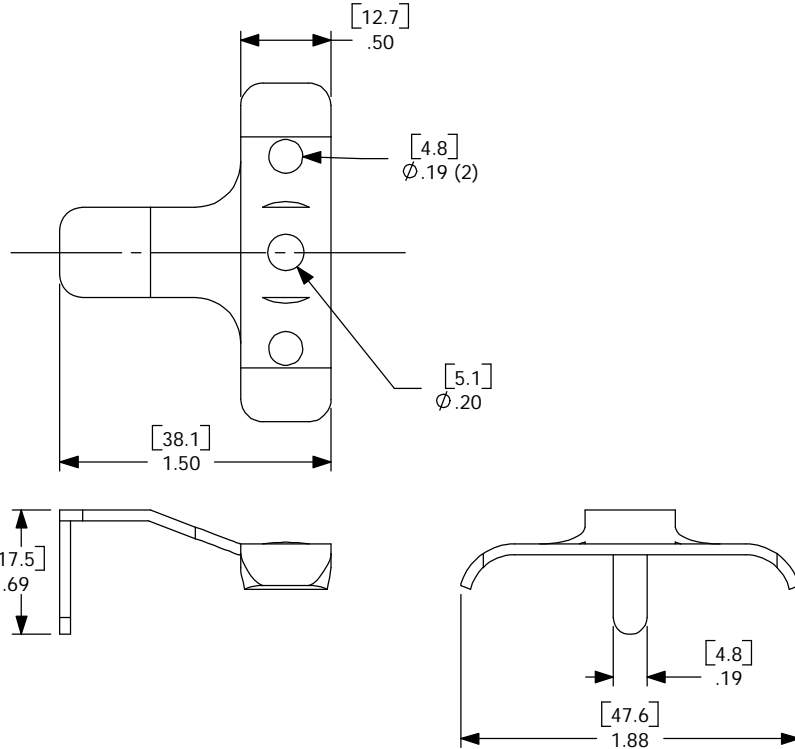


THE INFORMATION CONTAINED IN THIS DRAWING IS THE SOLE PROPERTY OF ANDERSON POWER PRODUCTS. ANY REPRODUCTION IN PART OR WHOLE WITHOUT THE WRITTEN PERMISSION OF ANDERSON POWER PRODUCTS IS PROHIBITED.

BY:	DATE
REV.	DESCRIPTION OF CHANGES



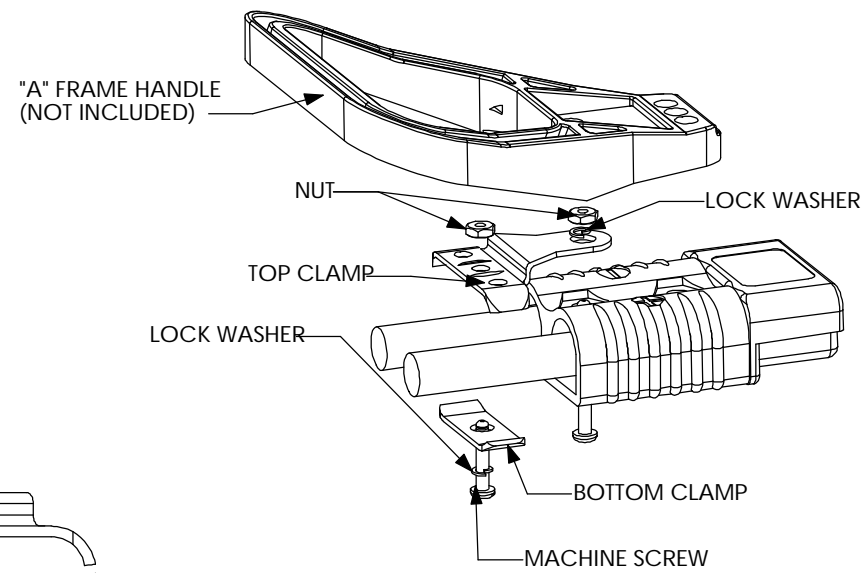
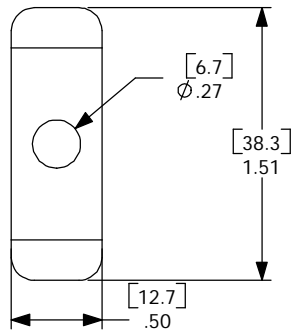
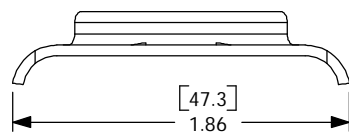
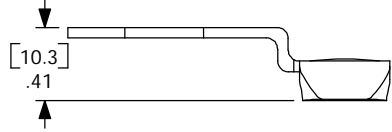
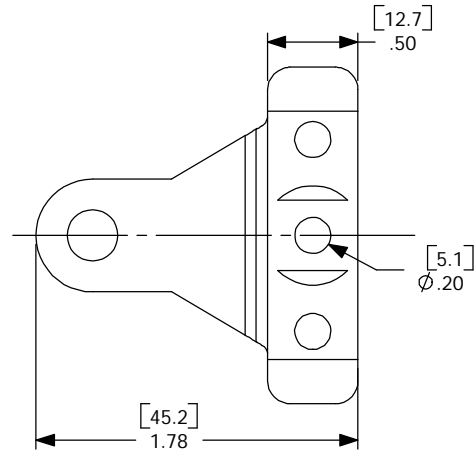
NOTES:

1. MATERIAL- COLD ROLLED STEEL; ZINC PLATE- YELLOW
2. HARDWARE KIT INCLUDES- ONE MACHINE SCREW, ONE NUT, ONE LOCK WASHER
3. CONNECTOR SOLD SEPARATELY

ITEM NO.	PART OR IDENTIFYING NO.	NOMENCLATURE OR DESCRIPTION	MATERIAL SPECIFICATION	QTY RECD
COPYRIGHT 2000 ANDERSON POWER PRODUCTS. ALL RIGHTS RESERVED. UNAUTHORIZED REPRODUCTION HEREBY PROHIBITED.				
DIMENSIONS ARE IN INCHES DIMENSIONS IN PARENTHESES [ ] ARE IN MILLIMETERS		CAD GENERATED DRAWING. DO NOT MANUALLY UPDATE	<b>ANDERSON POWER PRODUCTS</b>	
TOLERANCES ARE: 2PL- ±.02 [±.5]		APPROVALS	DATE	
MATERIALS: SEE NOTES		DRAWN	CMS	2/7/00
FINISH SEE NOTES		CHECKED	DJD	2/8/00
NEXT ASSY		RESP ENG	UFN	2/8/00
USED ON		MFG ENG	CHB	2/9/00
APPLICATION		QUAL ENG	RPO	2/10/00
DO NOT SCALE DRAWING		SCALE	NONE	
		CADFILES	01186	
		SHEET	1 OF 1	
		SIZE	A	
		SPECIFICATION:	114228S1	REV. 0

THE INFORMATION CONTAINED IN THIS DRAWING IS THE SOLE PROPERTY OF ANDERSON POWER PRODUCTS. ANY REPRODUCTION IN PART OR WHOLE WITHOUT THE WRITTEN PERMISSION OF ANDERSON POWER PRODUCTS IS PROHIBITED.

DATE	
BY:	
DESCRIPTION OF CHANGES	
REV.	



- NOTES:
1. MATERIAL- COLD ROLLED STEEL; ZINC PLATE- YELLOW
  2. HARDWARE KIT INCLUDES-TWO MACHINE SCREWS, TWO NUTS TWO LOCK WASHERS
  3. CONNECTOR AND "A" FRAME HANDLE SOLD SEPARATELY

ITEM NO.	PART OR IDENTIFYING NO.	NOMENCLATURE OR DESCRIPTION	MATERIAL SPECIFICATION	QTY REQD
COPYRIGHT 2000 ANDERSON POWER PRODUCTS. ALL RIGHTS RESERVED. UNAUTHORIZED REPRODUCTION HEREBY PROHIBITED				
DIMENSIONS ARE IN INCHES DIMENSIONS IN PARENTHESES [ ] ARE IN MILLIMETERS		CAD GENERATED DRAWING. DO NOT MANUALLY UPDATE	<b>ANDERSON POWER PRODUCTS</b>	
TOLERANCES ARE: 2PL- ±.02 [±.5]		APPROVALS DATE		
MATERIALS: SEE NOTES		DRAWN CMS 2/8/00	CATALOG NUMBER 945G3	
FINISH SEE NOTES		CHECKED DJD 2/8/00	SB175 CABLE CLAMP FOR TWO	
NEXT ASSY USED ON		RESP ENG UFN 2/9/00	SINGLE CONDUCTOR CABLES	
APPLICATION		MFG ENG CHB 2/9/00	FOR USE WITH "A" FRAME HANDLE	
DO NOT SCALE DRAWING		QUAL ENG RPO 2/10/00	SIZE SPECIFICATION: A 114229S1	REV. 0
		SCALE NONE	CADFILES/01187	SHEET 1 OF 1