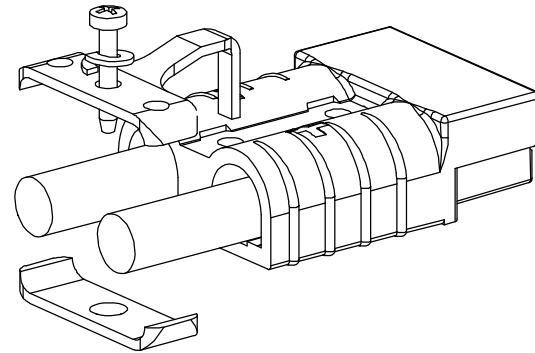
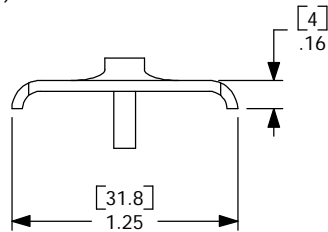
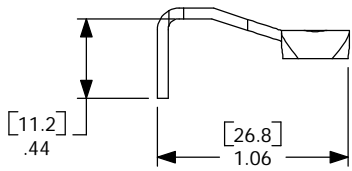
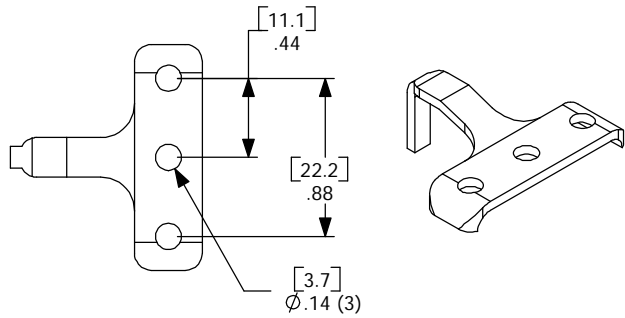


THE INFORMATION CONTAINED IN THIS DRAWING IS THE SOLE PROPERTY OF ANDERSON POWER PRODUCTS. ANY REPRODUCTION IN PART OR WHOLE WITHOUT THE WRITTEN PERMISSION OF ANDERSON POWER PRODUCTS IS PROHIBITED.

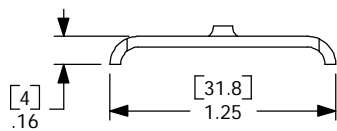
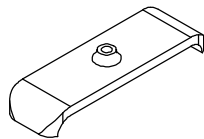
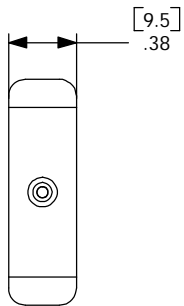
| | |
|------------------------|--|
| DATE | |
| BY: | |
| DESCRIPTION OF CHANGES | |
| REV. | |



MOUNTING OF CABLE CLAMP

NOTES:

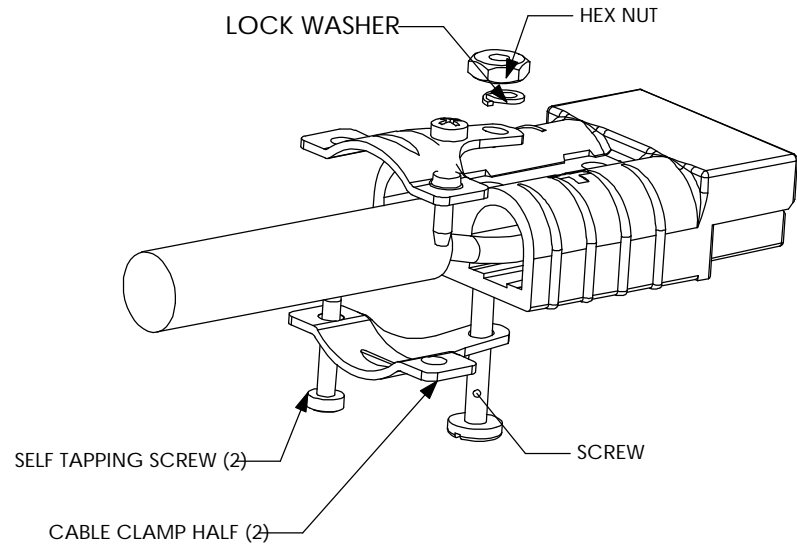
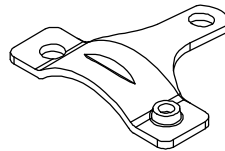
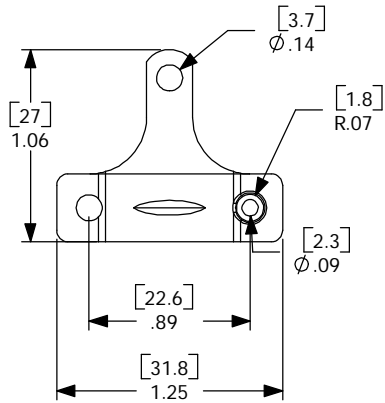
1. MATERIAL: COLD ROLLED STEEL, ZINC YELLOW FINISH
2. HARDWARE KIT INCLUDES ONE SELF-TAPPING SCREW AND ONE LOCK WASHER
3. USE WITH TWO #6-8 OR #10-12 SINGLE CONDUCTOR CABLES



| ITEM NO. | PART OR IDENTIFYING NO. | NOMENCLATURE OR DESCRIPTION | MATERIAL SPECIFICATION | QTY RECD |
|---|-------------------------|--|------------------------|---|
| COPYRIGHT 2000 ANDERSON POWER PRODUCTS. ALL RIGHTS RESERVED. UNAUTHORIZED REPRODUCTION HEREBY PROHIBITED. | | | | |
| DIMENSIONS ARE IN INCHES DIMENSIONS IN PARENTHESES [] ARE IN MILLIMETERS | | CAD GENERATED DRAWING. DO NOT MANUALLY UPDATE | | ANDERSON POWER PRODUCTS |
| TOLERANCES ARE: 2PL- ±.02 [±.5] | | APPROVALS | DATE | |
| MATERIALS: SEE NOTES | | DRAWN | CMS 1/25/00 | CATALOG NUMBER 990 SB50 CABLE CLAMP FOR TWO SINGLE CONDUCTOR CABLES |
| FINISH SEE NOTES | | CHECKED | DJD 1/28/00 | |
| NEXT ASSY USED ON | | RESP ENG | UFN 2/7/00 | |
| APPLICATION | | MFG ENG | CHB 2/8/00 | |
| DO NOT SCALE DRAWING | | QUAL ENG | RPO 2/8/00 | SIZE A SPECIFICATION: 114224S1 REV. 0 |
| | | SCALE NONE | CADFILES/01175 | SHEET 1 OF 1 |

THE INFORMATION CONTAINED IN THIS DRAWING IS THE SOLE PROPERTY OF ANDERSON POWER PRODUCTS. ANY REPRODUCTION IN PART OR WHOLE WITHOUT THE WRITTEN PERMISSION OF ANDERSON POWER PRODUCTS IS PROHIBITED.

| | |
|------------------------|--|
| DATE | |
| BY: | |
| DESCRIPTION OF CHANGES | |
| REV. | |



NOTES:

1. MATERIAL: STEEL, ZINC/YELLOW PLATE
2. HARWARE KIT INCLUDES TWO SELF-TAPPING SCREWS, ONE LOCK WASHER, ONE SCREW AND ONE NUT
3. USE WITH TWIN CONDUCTOR CABLE

| ITEM NO. | PART OR IDENTIFYING NO. | NOMENCLATURE OR DESCRIPTION | MATERIAL SPECIFICATION | QTY REQD |
|--|-------------------------|--|------------------------|---|
| COPYRIGHT 2000 ANDERSON POWER PRODUCTS. ALL RIGHTS RESERVED. UNAUTHORIZED REPRODUCTION HEREBY PROHIBITED | | | | |
| DIMENSIONS ARE IN INCHES DIMENSIONS IN PARENTHESES [] ARE IN MILLIMETERS | | CAD GENERATED DRAWING. DO NOT MANUALLY UPDATE | | ANDERSON POWER PRODUCTS |
| TOLERANCES ARE: 2PL- ±.02 [±.5] | | APPROVALS | DATE | |
| MATERIALS: SEE NOTES | | DRAWN | CMS 1/26/00 | CATALOG NUMBER 5905 SB50 TWIN CONDUCTOR CABLE CLAMP |
| FINISH SEE NOTES | | CHECKED | DJD 1/27/00 | |
| NEXT ASSY | | USED ON | RESP ENG | UFN 2/7/00 |
| APPLICATION | | DO NOT SCALE DRAWING | MFG ENG | CHB 2/7/00 |
| | | | QUAL ENG | RPO 2/8/00 |
| | | | SCALE | NONE |
| | | | CADFILES | 01176 |
| | | | SHEET | 1 OF 1 |

| | |
|--|--|
| | |
| | |
| | |
| | |
| | |

8

7

6

5

4

3

2

1

A

A