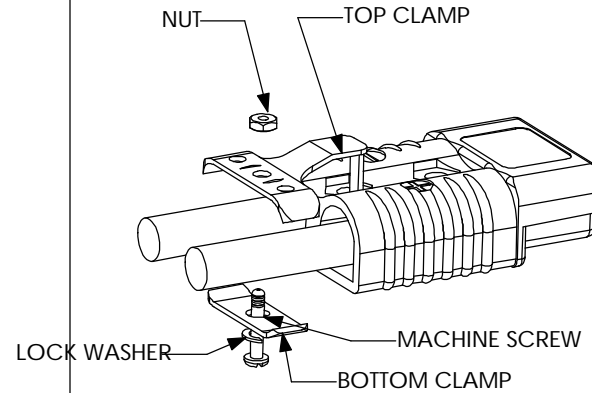
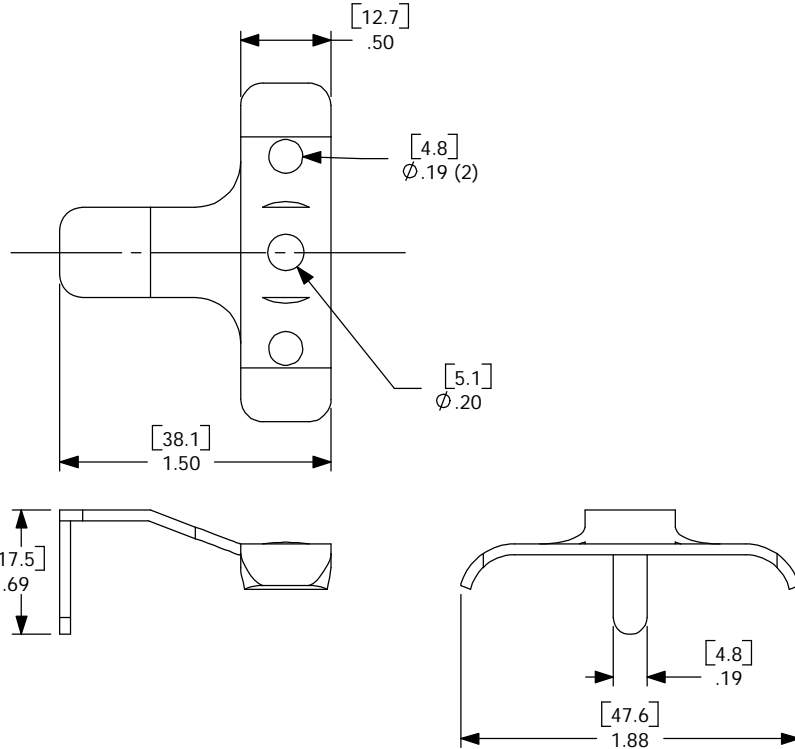


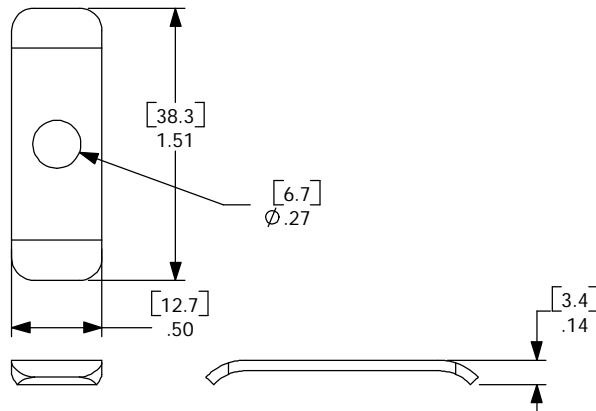
THE INFORMATION CONTAINED IN THIS DRAWING IS THE SOLE PROPERTY OF ANDERSON POWER PRODUCTS. ANY REPRODUCTION IN PART OR WHOLE WITHOUT THE WRITTEN PERMISSION OF ANDERSON POWER PRODUCTS IS PROHIBITED.

BY:	DATE
REV.	DESCRIPTION OF CHANGES



NOTES:

1. MATERIAL- COLD ROLLED STEEL; ZINC PLATE- YELLOW
2. HARDWARE KIT INCLUDES- ONE MACHINE SCREW, ONE NUT, ONE LOCK WASHER
3. CONNECTOR SOLD SEPARATELY



NEXT ASSY	USED ON
APPLICATION	DO NOT SCALE DRAWING

ITEM NO.	PART OR IDENTIFYING NO.	NOMENCLATURE OR DESCRIPTION	MATERIAL SPECIFICATION	QTY REQD
COPYRIGHT 2000 ANDERSON POWER PRODUCTS. ALL RIGHTS RESERVED. UNAUTHORIZED REPRODUCTION HEREBY PROHIBITED.				
DIMENSIONS ARE IN INCHES DIMENSIONS IN PARENTHESES [] ARE IN MILLIMETERS		CAD GENERATED DRAWING. DO NOT MANUALLY UPDATE	ANDERSON POWER PRODUCTS	
TOLERANCES ARE: 2PL- ±.02 [±.5]		APPROVALS	DATE	CATALOG NUMBER 945 SB175 CABLE CLAMP FOR SINGLE CONDUCTOR CABLE #4 AWG TO 1/0
MATERIALS: SEE NOTES		DRAWN	CMS 2/7/00	
FINISH SEE NOTES		CHECKED	DJD 2/8/00	
		RESP ENG	UFN 2/8/00	
		MFG ENG	CHB 2/9/00	SIZE SPECIFICATION:
		QUAL ENG	RPO 2/10/00	A 114228S1
		SCALE	NONE	REV. 0
		CADFILES/01186	SHEET 1 OF 1	