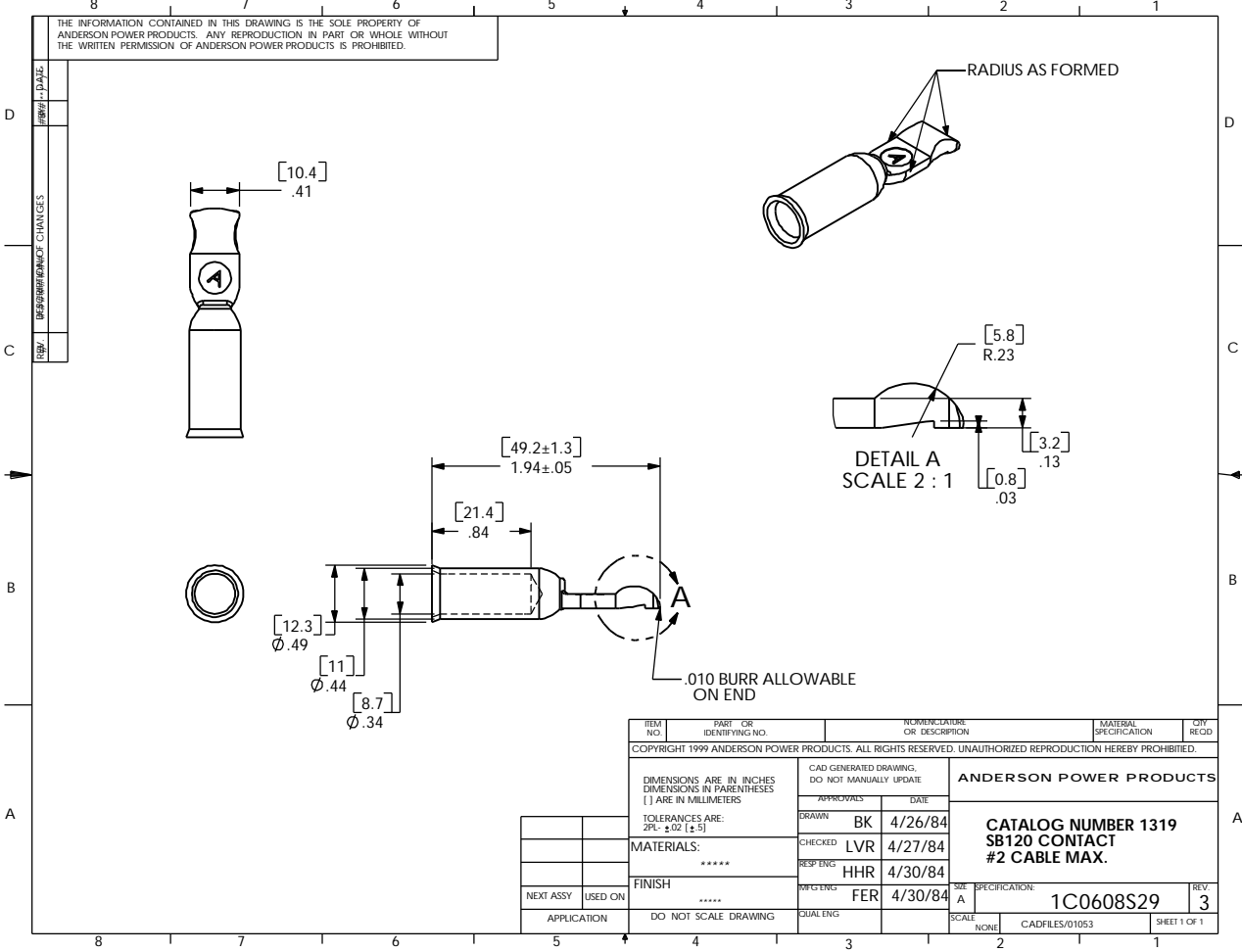
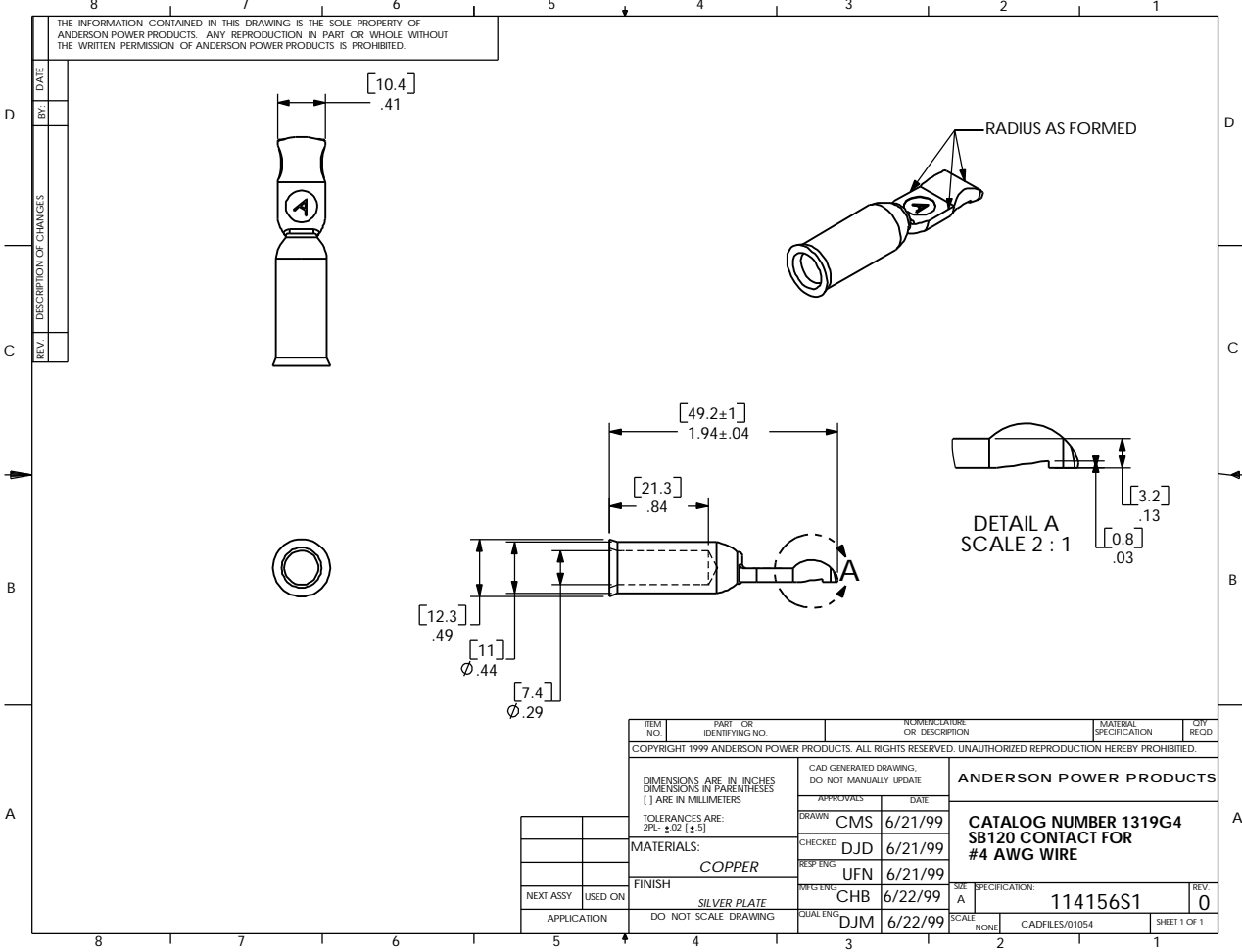


THE INFORMATION CONTAINED IN THIS DRAWING IS THE SOLE PROPERTY OF ANDERSON POWER PRODUCTS. ANY REPRODUCTION IN PART OR WHOLE WITHOUT THE WRITTEN PERMISSION OF ANDERSON POWER PRODUCTS IS PROHIBITED.



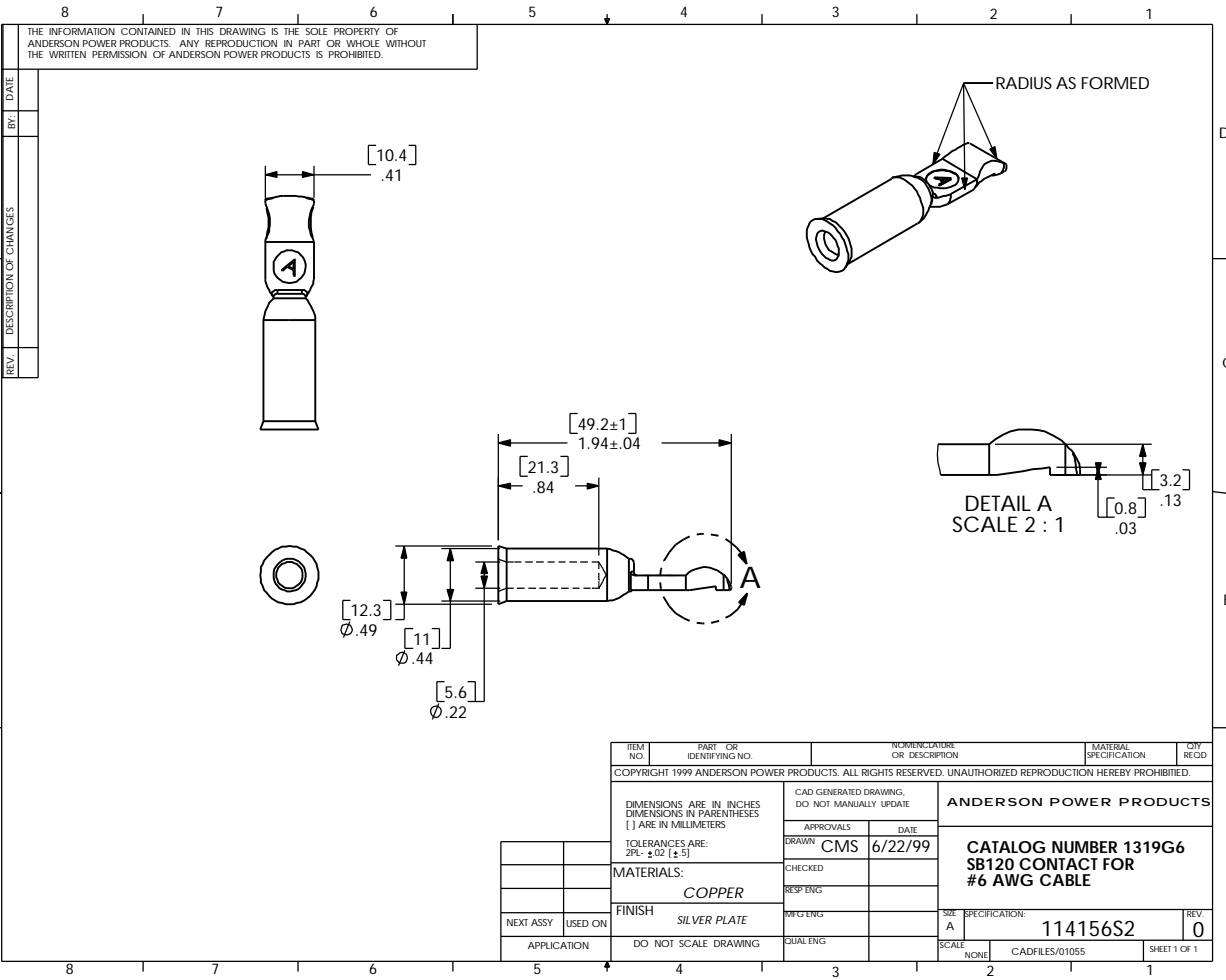
ITEM NO.	PART OR IDENTIFYING NO.	NUMERICAL OR DESCRIPTION	MATERIAL SPECIFICATION	QTY REQD.
COPYRIGHT 1999 ANDERSON POWER PRODUCTS. ALL RIGHTS RESERVED. UNAUTHORIZED REPRODUCTION HEREBY PROHIBITED.				
DIMENSIONS ARE IN INCHES DIMENSIONS IN PARENTHESES () ARE IN MILLIMETERS		CAD GENERATED DRAWING. DO NOT MANUALLY UPDATE		
TOLERANCES ARE: 2PL- ±.02 [±.5]		ANDERSON POWER PRODUCTS		
MATERIALS: *****		APPROVALS		
FINISH *****		DRAWN BK 4/26/84		
NEXT ASSY USED ON		CHECKED LVR 4/27/84		
APPLICATION		RESP ENG HHR 4/30/84		
DO NOT SCALE DRAWING		APP'G ENG FER 4/30/84		
		SPECIFICATION: 1C0608S29		
		SCALE: NONE		
		SHEET 1 OF 1		

THE INFORMATION CONTAINED IN THIS DRAWING IS THE SOLE PROPERTY OF ANDERSON POWER PRODUCTS. ANY REPRODUCTION IN PART OR WHOLE WITHOUT THE WRITTEN PERMISSION OF ANDERSON POWER PRODUCTS IS PROHIBITED.



REV.	DESCRIPTION OF CHANGES	DATE

ITEM NO.	PART OR IDENTIFYING NO.	NUMERICAL OR DESCRIPTION	MATERIAL SPECIFICATION	CITY
COPYRIGHT 1999 ANDERSON POWER PRODUCTS. ALL RIGHTS RESERVED. UNAUTHORIZED REPRODUCTION HEREBY PROHIBITED.				
DIMENSIONS ARE IN INCHES DIMENSIONS IN PARENTHESES () ARE IN MILLIMETERS		CAD GENERATED DRAWING. DO NOT MANUALLY UPDATE		ANDERSON POWER PRODUCTS
TOLERANCES ARE: 2PL- ±.02 [±.5]		APPROVALS	DATE	CATALOG NUMBER 1319G4 SB120 CONTACT FOR #4 AWG WIRE
MATERIALS:		DRAWN	6/21/99	
COPPER		CHECKED	DJD 6/21/99	
FINISH		RESP ENGR	UFN 6/21/99	
SILVER PLATE		APP'G ENGR	CHB 6/22/99	
NEXT ASSY	USED ON	QUAL ENGR	DJM 6/22/99	SPECIFICATION: 114156S1
APPLICATION	DO NOT SCALE DRAWING	SCALE	NONE	CADFILES/01054 SHEET 1 OF 1



THE INFORMATION CONTAINED IN THIS DRAWING IS THE SOLE PROPERTY OF ANDERSON POWER PRODUCTS. ANY REPRODUCTION IN PART OR WHOLE WITHOUT THE WRITTEN PERMISSION OF ANDERSON POWER PRODUCTS IS PROHIBITED.

REV.	DESCRIPTION OF CHANGES	DATE

ITEM NO.	PART OR IDENTIFYING NO.	NUMERICAL OR DESCRIPTION	MATERIAL SPECIFICATION	QTY REQD.
COPYRIGHT 1999 ANDERSON POWER PRODUCTS. ALL RIGHTS RESERVED. UNAUTHORIZED REPRODUCTION HEREBY PROHIBITED.				
DIMENSIONS ARE IN INCHES DIMENSIONS IN PARENTHESES () ARE IN MILLIMETERS		CAD GENERATED DRAWING. DO NOT MANUALLY UPDATE		ANDERSON POWER PRODUCTS
TOLERANCES ARE: 2PL- ±.02 [±.5]		APPROVALS	DATE	
MATERIALS: COPPER		DRAWN	6/22/99	CATALOG NUMBER 1319G6 SB120 CONTACT FOR #6 AWG CABLE
FINISH SILVER PLATE		CHECKED		
NEXT ASSY		RESP ENG		
USED ON		APP'G ENG		
APPLICATION		QUAL ENG		SPECIFICATION: 114156S2
		SCALE	NONE	CADFILES/01055 SHEET 1 OF 1

A

A