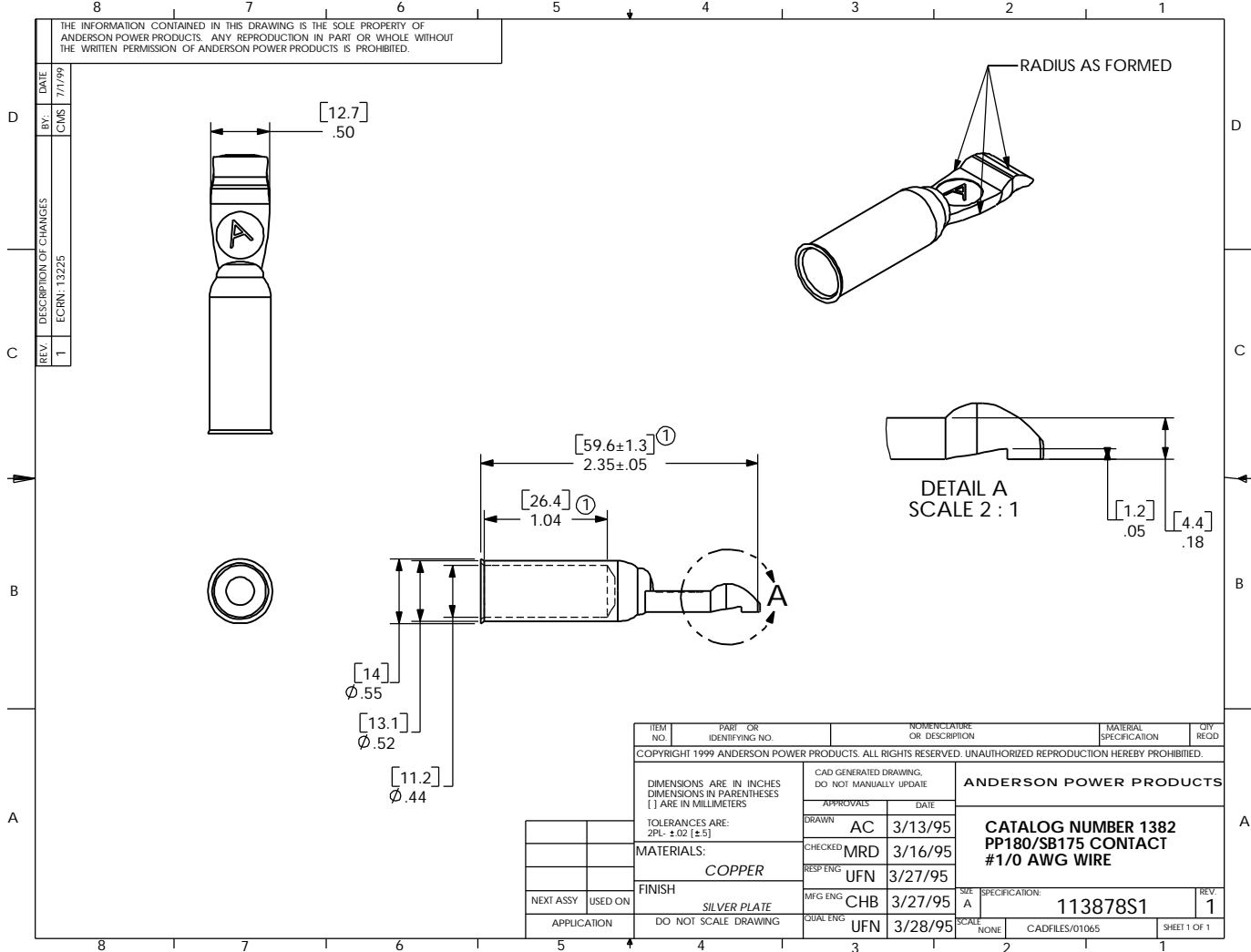


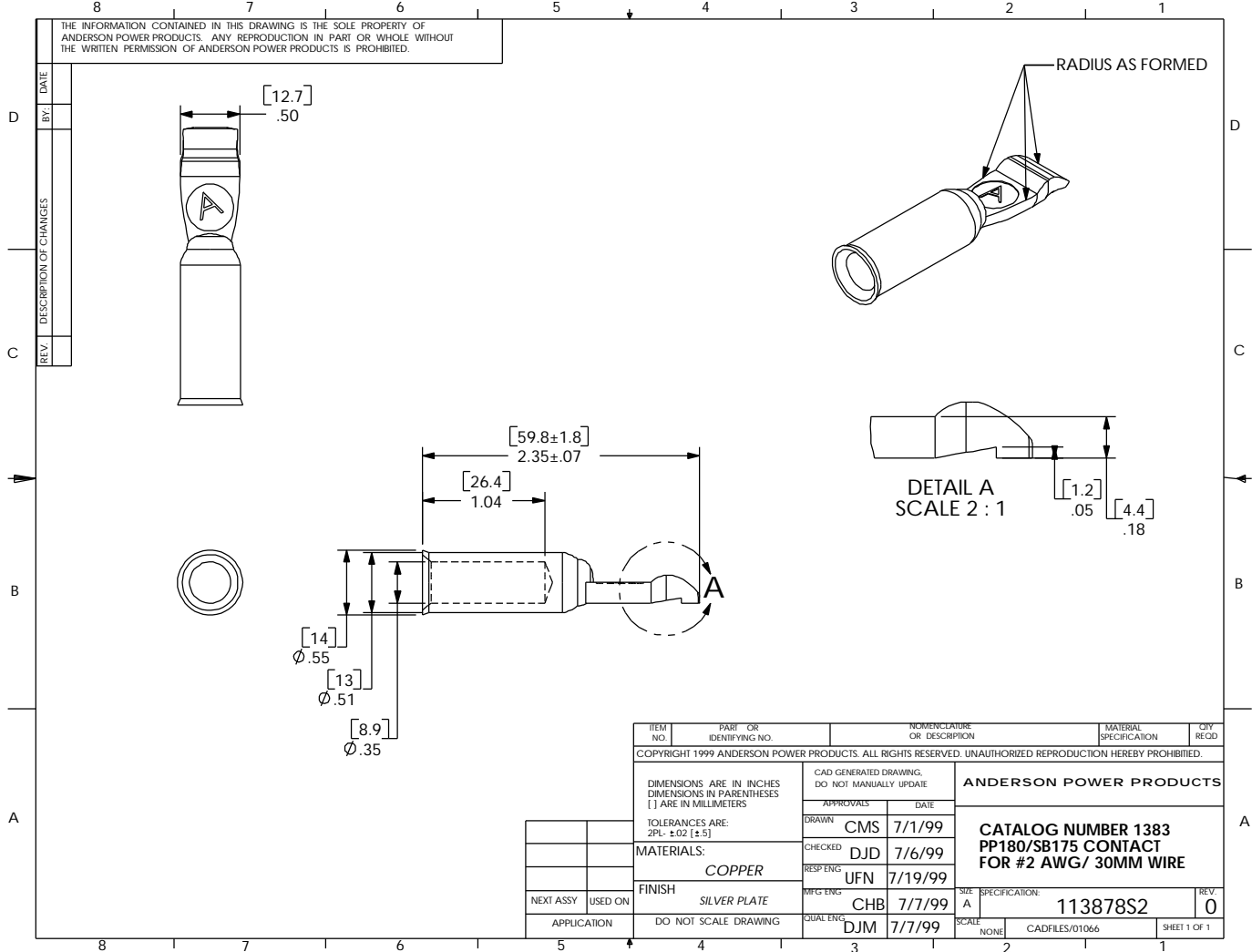
THE INFORMATION CONTAINED IN THIS DRAWING IS THE SOLE PROPERTY OF ANDERSON POWER PRODUCTS. ANY REPRODUCTION IN PART OR WHOLE WITHOUT THE WRITTEN PERMISSION OF ANDERSON POWER PRODUCTS IS PROHIBITED.



REV.	DESCRIPTION OF CHANGES	BY:	DATE
1	ECHN: 13225	CMS	7/1/99

ITEM NO.	PART OR IDENTIFYING NO.	NOMENCLATURE OR DESCRIPTION	MATERIAL SPECIFICATION	QTY REQD
COPYRIGHT 1999 ANDERSON POWER PRODUCTS. ALL RIGHTS RESERVED. UNAUTHORIZED REPRODUCTION HEREBY PROHIBITED.				
DIMENSIONS ARE IN INCHES DIMENSIONS IN PARENTHESES [] ARE IN MILLIMETERS		CAD GENERATED DRAWING. DO NOT MANUALLY UPDATE		ANDERSON POWER PRODUCTS
TOLERANCES ARE: 2PL ±.02 [±.5]		APPROVALS	DATE	
MATERIALS: <i>COPPER</i>		DRAWN	AC 3/13/95	CATALOG NUMBER 1382 PP180/SB175 CONTACT #1/0 AWG WIRE
FINISH <i>SILVER PLATE</i>		CHECKED	MRD 3/16/95	
NEXT ASSY USED ON		RESP ENG	UFN 3/27/95	
APPLICATION DO NOT SCALE DRAWING		MFG ENG	CHB 3/27/95	
		QUAL ENG	UFN 3/28/95	SIZE A SPECIFICATION: 113878S1
		SCALE NONE CADFILES/01065		REV. 1
				SHEET 1 OF 1

THE INFORMATION CONTAINED IN THIS DRAWING IS THE SOLE PROPERTY OF ANDERSON POWER PRODUCTS. ANY REPRODUCTION IN PART OR WHOLE WITHOUT THE WRITTEN PERMISSION OF ANDERSON POWER PRODUCTS IS PROHIBITED.



REV.	DESCRIPTION OF CHANGES	BY:	DATE

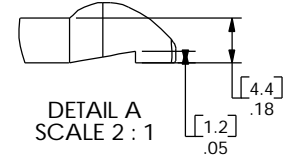
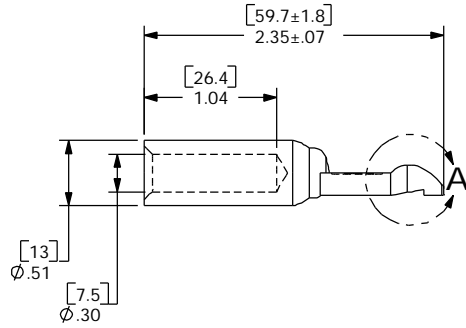
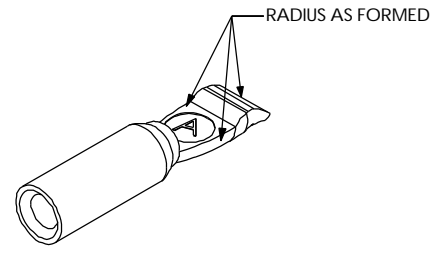
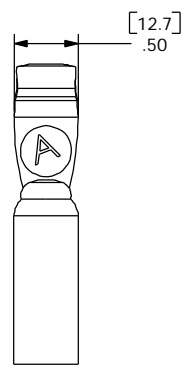
NEXT ASSY	USED ON

ITEM NO.	PART OR IDENTIFYING NO.	NOMENCLATURE OR DESCRIPTION	MATERIAL SPECIFICATION	QTY RECD
COPYRIGHT 1999 ANDERSON POWER PRODUCTS. ALL RIGHTS RESERVED. UNAUTHORIZED REPRODUCTION HEREBY PROHIBITED.				
DIMENSIONS ARE IN INCHES DIMENSIONS IN PARENTHESES [] ARE IN MILLIMETERS		CAD GENERATED DRAWING. DO NOT MANUALLY UPDATE		ANDERSON POWER PRODUCTS
TOLERANCES ARE: 2PL ±.02 [±.5]		APPROVALS	DATE	
MATERIALS:		DRAWN	CMS 7/1/99	CATALOG NUMBER 1383 PP180/SB175 CONTACT FOR #2 AWG/ 30MM WIRE
FINISH		CHECKED	DJD 7/6/99	
COPPER		RESP ENG	UFN 7/19/99	
SILVER PLATE		MFG ENG	CHB 7/7/99	SIZE SPECIFICATION: A 113878S2
APPLICATION DO NOT SCALE DRAWING		QCAL ENG	DJM 7/7/99	REV. 0
		SCALE	NONE	CADFILES/01066
				SHEET 1 OF 1

8 7 6 5 4 3 2 1

THE INFORMATION CONTAINED IN THIS DRAWING IS THE SOLE PROPERTY OF ANDERSON POWER PRODUCTS. ANY REPRODUCTION IN PART OR WHOLE WITHOUT THE WRITTEN PERMISSION OF ANDERSON POWER PRODUCTS IS PROHIBITED.

REV.	DESCRIPTION OF CHANGES	DATE



A

ITEM NO.	PART OR IDENTIFYING NO.	NOMENCLATURE OR DESCRIPTION	MATERIAL SPECIFICATION	QTY RECD
COPYRIGHT 1999 ANDERSON POWER PRODUCTS. ALL RIGHTS RESERVED. UNAUTHORIZED REPRODUCTION HEREBY PROHIBITED.				
DIMENSIONS ARE IN INCHES DIMENSIONS IN PARENTHESES [] ARE IN MILLIMETERS		CAD GENERATED DRAWING. DO NOT MANUALLY UPDATE		ANDERSON POWER PRODUCTS
TOLERANCES ARE: 2PL- ±.02 [±.5]		APPROVALS	DATE	
MATERIALS: COPPER		DRAWN	CMS 7/1/99	CATALOG NUMBER 1384 PP180/SB175 CONTACT FOR #4 AWG WIRE
FINISH SILVER PLATE		CHECKED	DJD 7/6/99	
NEXT ASSY		RESP ENG	UFN 7/19/99	
USED ON		MFG ENG	CHB 7/7/99	
APPLICATION		QUAL ENG	DJM 7/7/99	REV. 0
DO NOT SCALE DRAWING		SCALE	NONE	SPECIFICATION: 113878S3
			CADFILES/01067	SHEET 1 OF 1

8 7 6 5 4 3 2 1