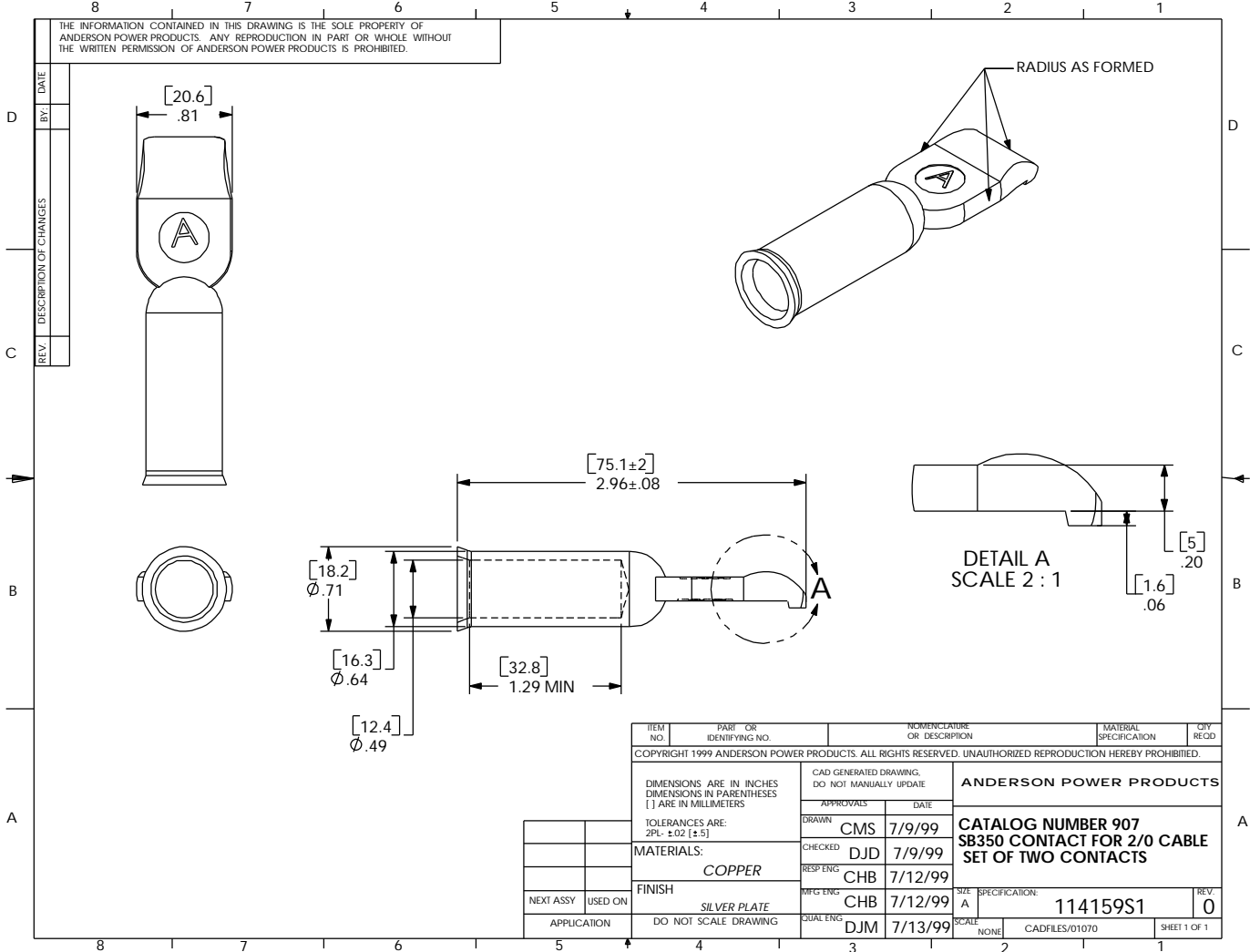


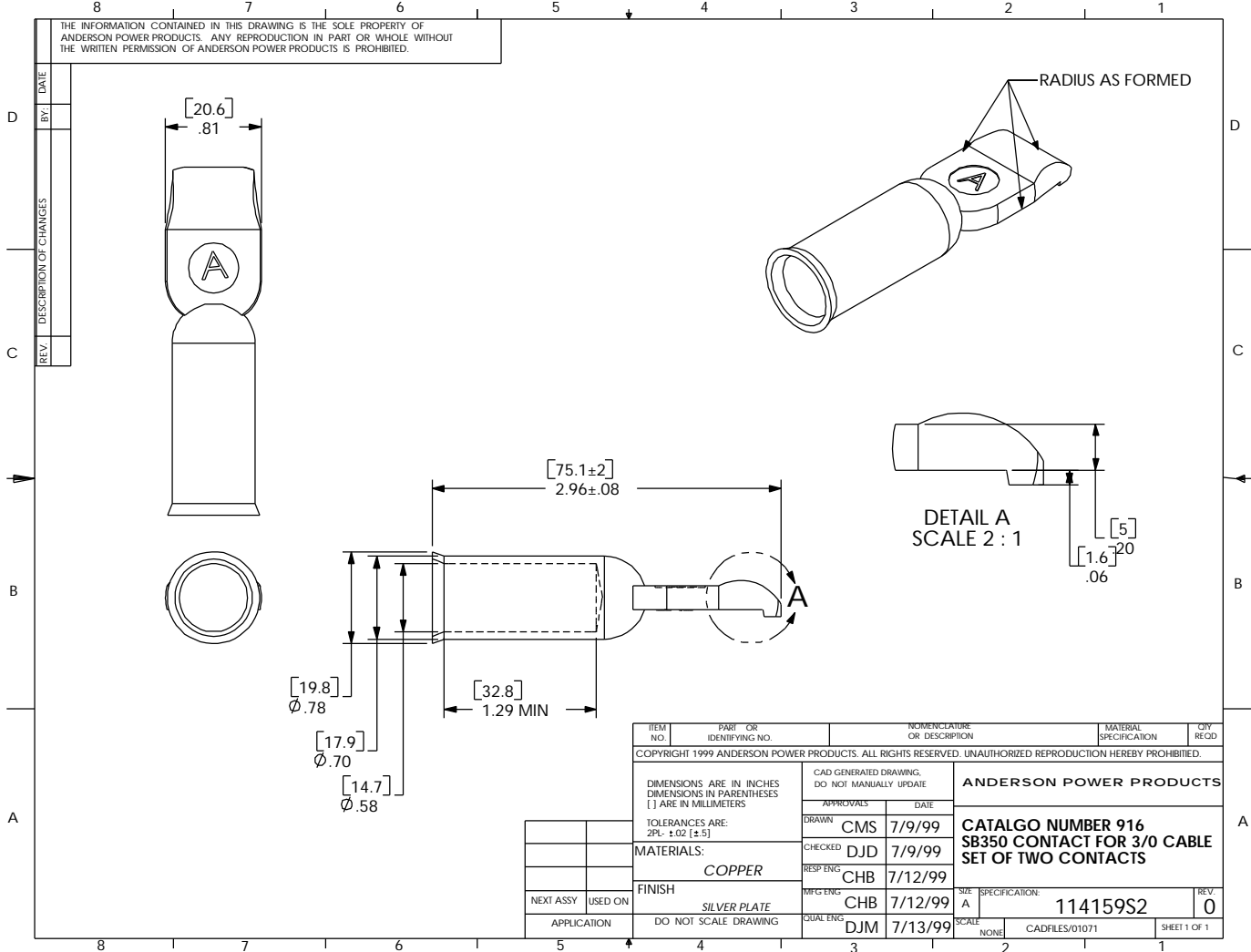
THE INFORMATION CONTAINED IN THIS DRAWING IS THE SOLE PROPERTY OF ANDERSON POWER PRODUCTS. ANY REPRODUCTION IN PART OR WHOLE WITHOUT THE WRITTEN PERMISSION OF ANDERSON POWER PRODUCTS IS PROHIBITED.



REV.	DESCRIPTION OF CHANGES	BY:	DATE

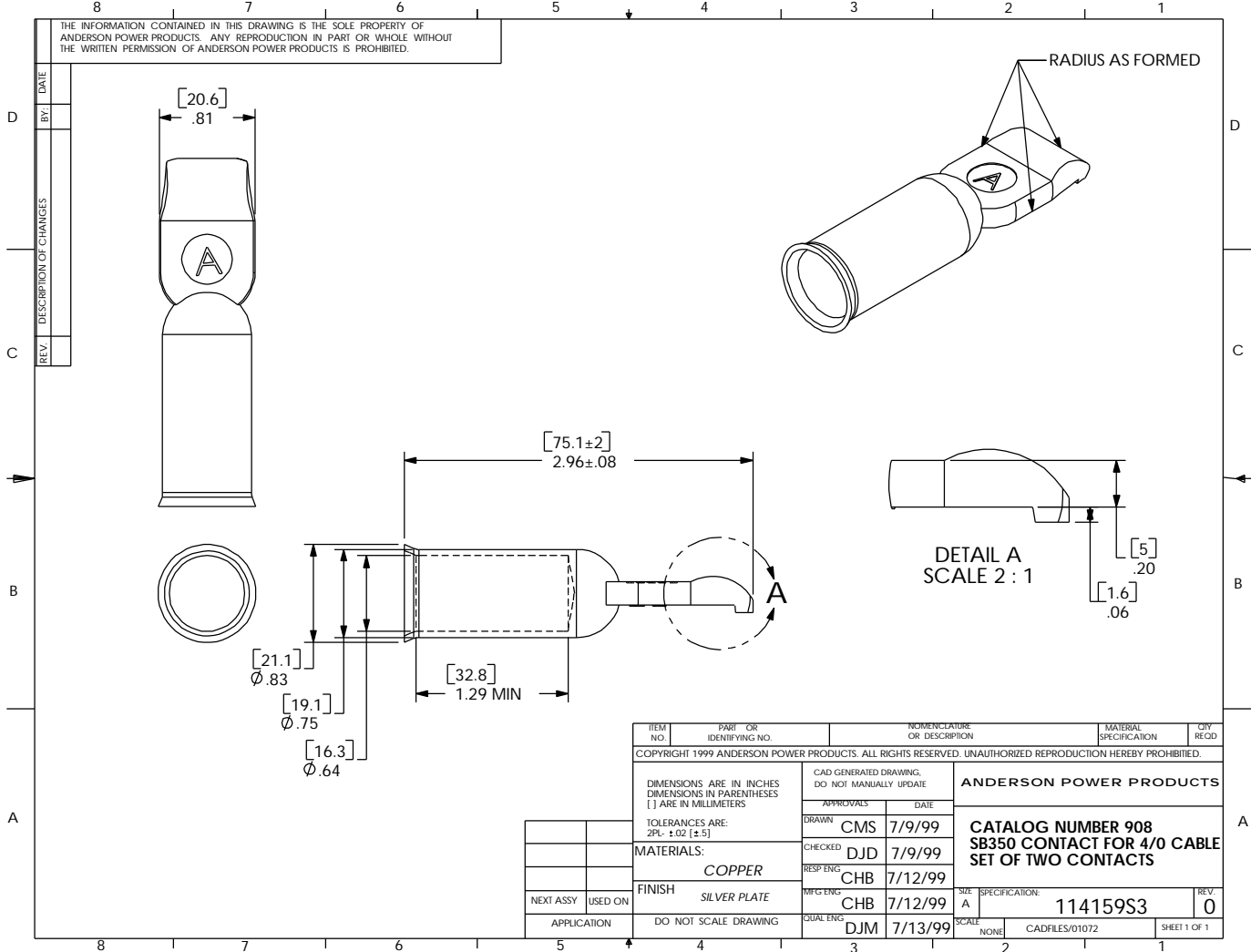
ITEM NO.	PART OR IDENTIFYING NO.	NOMENCLATURE OR DESCRIPTION	MATERIAL SPECIFICATION	QTY. REQ'D
COPYRIGHT 1999 ANDERSON POWER PRODUCTS. ALL RIGHTS RESERVED. UNAUTHORIZED REPRODUCTION HEREBY PROHIBITED.				
DIMENSIONS ARE IN INCHES DIMENSIONS IN PARENTHESES [ ] ARE IN MILLIMETERS		CAD GENERATED DRAWING. DO NOT MANUALLY UPDATE		ANDERSON POWER PRODUCTS
TOLERANCES ARE: 2PL ±.02 [±.5]		APPROVALS	DATE	
MATERIALS: <i>COPPER</i>		DRAWN	CMS 7/9/99	CATALOG NUMBER 907 SB350 CONTACT FOR 2/O CABLE SET OF TWO CONTACTS
FINISH <i>SILVER PLATE</i>		CHECKED	DJD 7/9/99	
NEXT ASSY USED ON		RESP ENG	CHB 7/12/99	
APPLICATION DO NOT SCALE DRAWING		MFG ENG	CHB 7/12/99	
			SIZE A	SPECIFICATION: 114159S1
			SCALE: NONE	CADFILES/01070
				REV. 0
				SHEET 1 OF 1

THE INFORMATION CONTAINED IN THIS DRAWING IS THE SOLE PROPERTY OF ANDERSON POWER PRODUCTS. ANY REPRODUCTION IN PART OR WHOLE WITHOUT THE WRITTEN PERMISSION OF ANDERSON POWER PRODUCTS IS PROHIBITED.



ITEM NO.	PART OR IDENTIFYING NO.	NOMENCLATURE OR DESCRIPTION	MATERIAL SPECIFICATION	QTY. RECD.
COPYRIGHT 1999 ANDERSON POWER PRODUCTS. ALL RIGHTS RESERVED. UNAUTHORIZED REPRODUCTION HEREBY PROHIBITED.				
DIMENSIONS ARE IN INCHES DIMENSIONS IN PARENTHESSES { } ARE IN MILLIMETERS		CAD GENERATED DRAWING. DO NOT MANUALLY UPDATE		
TOLERANCES ARE: 2PL: ±.02 {±.5}		APPROVALS DATE		
MATERIALS: <i>COPPER</i>		DRAWN: CMS 7/9/99		
FINISH <i>SILVER PLATE</i>		CHECKED: DJD 7/9/99		
NEXT ASSY USED ON		RESP ENG: CHB 7/12/99		
APPLICATION DO NOT SCALE DRAWING		MFG ENG: CHB 7/12/99		
		CUAL ENG: DJM 7/13/99		
		TITLE SPECIFICATION: 114159S2		
		SCALE: NONE CADFILES/01071		
		REV: 0		
		SHEET 1 OF 1		

ANDERSON POWER PRODUCTS  
**CATALOG NUMBER 916**  
**SB350 CONTACT FOR 3/0 CABLE**  
**SET OF TWO CONTACTS**

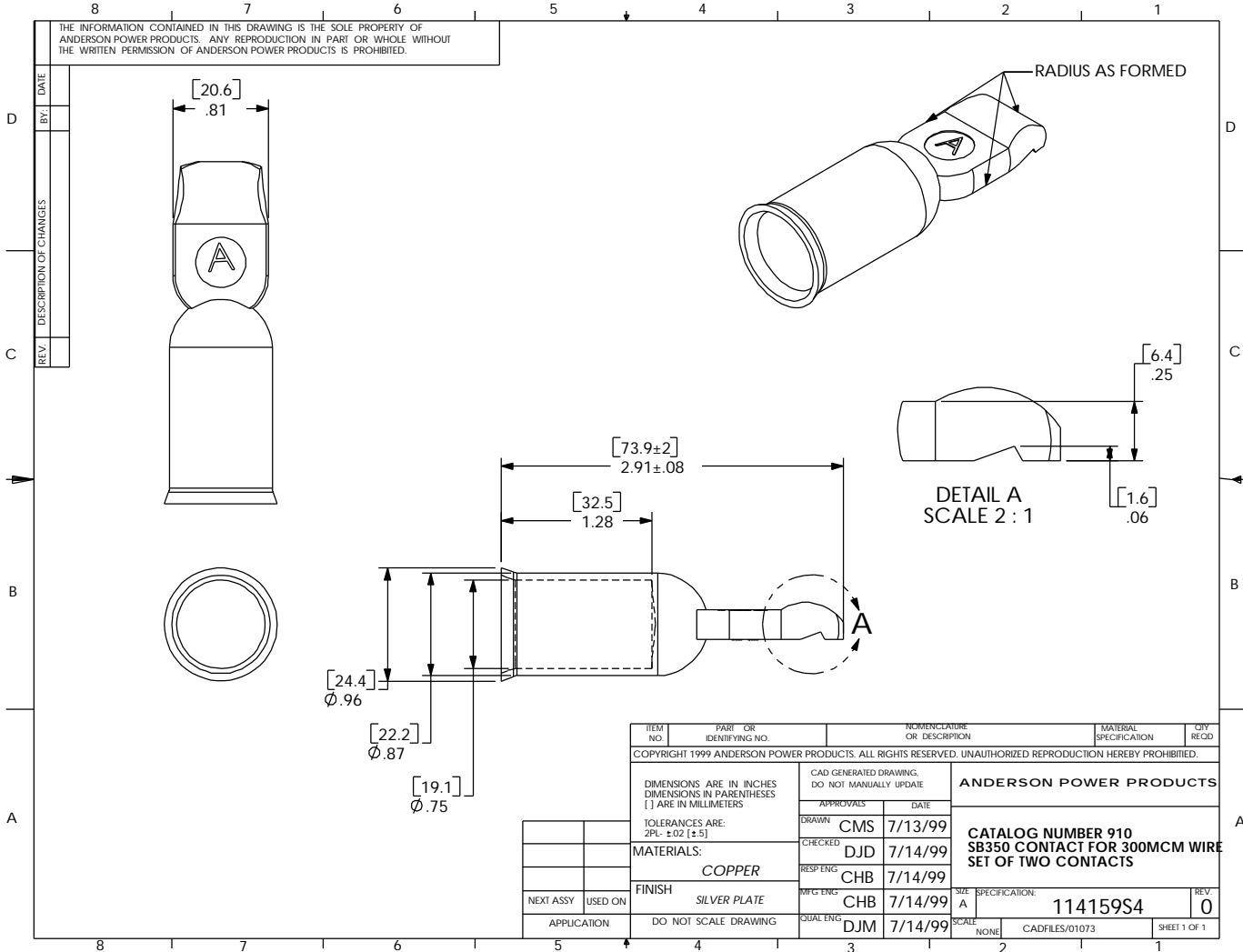


THE INFORMATION CONTAINED IN THIS DRAWING IS THE SOLE PROPERTY OF ANDERSON POWER PRODUCTS. ANY REPRODUCTION IN PART OR WHOLE WITHOUT THE WRITTEN PERMISSION OF ANDERSON POWER PRODUCTS IS PROHIBITED.

REV.	DESCRIPTION OF CHANGES	BY:	DATE

ITEM NO.	PART OR IDENTIFYING NO.	NOMENCLATURE OR DESCRIPTION	MATERIAL SPECIFICATION	QTY. REQ'D
COPYRIGHT 1999 ANDERSON POWER PRODUCTS. ALL RIGHTS RESERVED. UNAUTHORIZED REPRODUCTION HEREBY PROHIBITED.				
DIMENSIONS ARE IN INCHES DIMENSIONS IN PARENTHESES { } ARE IN MILLIMETERS		CAD GENERATED DRAWING. DO NOT MANUALLY UPDATE		ANDERSON POWER PRODUCTS
TOLERANCES ARE: 2PL: ±.02 {±.5}		APPROVALS	DATE	
MATERIALS:		DRAWN	CMS 7/9/99	<b>CATALOG NUMBER 908</b> <b>SB350 CONTACT FOR 4/0 CABLE</b> <b>SET OF TWO CONTACTS</b>
FINISH SILVER PLATE		CHECKED	DJD 7/9/99	
NEXT ASSY USED ON		RESP ENG	CHB 7/12/99	
APPLICATION		MFG ENG	CHB 7/12/99	
DO NOT SCALE DRAWING		CIAL ENG	DJM 7/13/99	SIZE: A SPECIFICATION: 114159S3 SCALE: NONE CADFILES/01072
				REV: 0
				SHEET 1 OF 1

THE INFORMATION CONTAINED IN THIS DRAWING IS THE SOLE PROPERTY OF ANDERSON POWER PRODUCTS. ANY REPRODUCTION IN PART OR WHOLE WITHOUT THE WRITTEN PERMISSION OF ANDERSON POWER PRODUCTS IS PROHIBITED.



REV.	DESCRIPTION OF CHANGES	BY:	DATE

NEXT ASSY	USED ON
APPLICATION	DO NOT SCALE DRAWING

ITEM NO.	PART OR IDENTIFYING NO.	NOMENCLATURE OR DESCRIPTION	MATERIAL SPECIFICATION	QTY RECD
COPYRIGHT 1999 ANDERSON POWER PRODUCTS. ALL RIGHTS RESERVED. UNAUTHORIZED REPRODUCTION HEREBY PROHIBITED.				
DIMENSIONS ARE IN INCHES DIMENSIONS IN PARENTHESES [ ] ARE IN MILLIMETERS		CAD GENERATED DRAWING. DO NOT MANUALLY UPDATE		
TOLERANCES ARE: 2PL ±.02 [±.5]		ANDERSON POWER PRODUCTS		
MATERIALS: <i>COPPER</i>		CATALOG NUMBER 910 SB350 CONTACT FOR 300MCM WIRE SET OF TWO CONTACTS		
FINISH SILVER PLATE		SIZE A SPECIFICATION: 114159S4		
APPLICATION		SCALE: NONE CADFILES/01073 SHEET 1 OF 1		
APPROVALS	DATE	REV. 0		
DRAWN CMS	7/13/99			
CHECKED DJD	7/14/99			
RESP ENG CHB	7/14/99			
MFG ENG CHB	7/14/99			
QUAL ENG DJM	7/14/99			