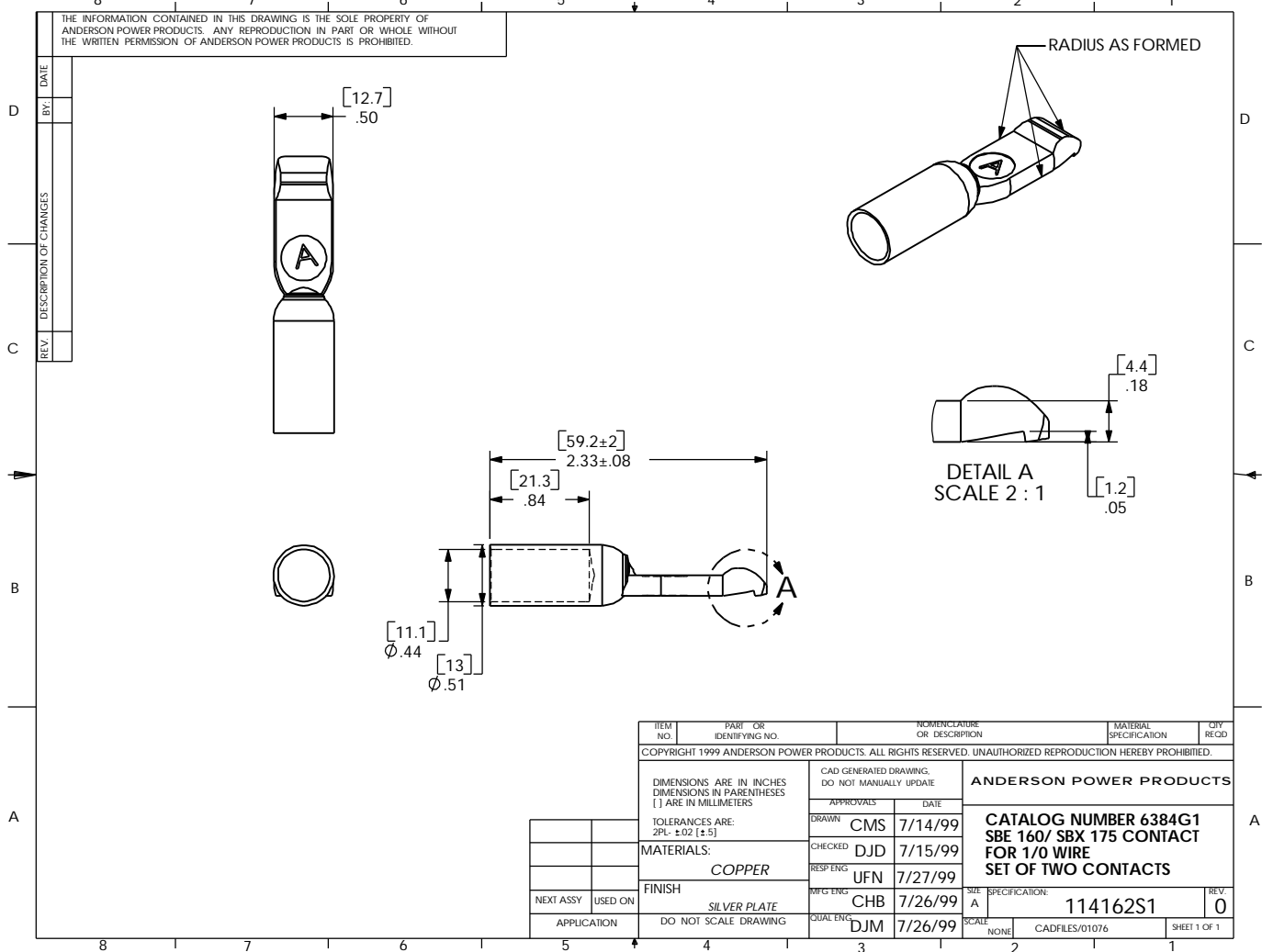


THE INFORMATION CONTAINED IN THIS DRAWING IS THE SOLE PROPERTY OF ANDERSON POWER PRODUCTS. ANY REPRODUCTION IN PART OR WHOLE WITHOUT THE WRITTEN PERMISSION OF ANDERSON POWER PRODUCTS IS PROHIBITED.



REV.	DESCRIPTION OF CHANGES	BY:	DATE

ITEM NO.	PART OR IDENTIFYING NO.	NOMENCLATURE OR DESCRIPTION	MATERIAL SPECIFICATION	QTY RECD
COPYRIGHT 1999 ANDERSON POWER PRODUCTS. ALL RIGHTS RESERVED. UNAUTHORIZED REPRODUCTION HEREBY PROHIBITED.				
DIMENSIONS ARE IN INCHES DIMENSIONS IN PARENTHESES { } ARE IN MILLIMETERS		CAD GENERATED DRAWING. DO NOT MANUALLY UPDATE		ANDERSON POWER PRODUCTS
TOLERANCES ARE: 2PL ±.02 {±.5}		APPROVALS	DATE	
MATERIALS:	COPPER	DRAWN	CMS 7/14/99	CATALOG NUMBER 6384G1 SBE 160/ SBX 175 CONTACT FOR 1/0 WIRE SET OF TWO CONTACTS
FINISH	SILVER PLATE	CHECKED	DJD 7/15/99	
NEXT ASSY	USED ON	RESP ENG	UFN 7/27/99	
APPLICATION	DO NOT SCALE DRAWING	MFG ENG	CHB 7/26/99	
		QUAL ENG	DJM 7/26/99	SIZE A SPECIFICATION: 114162S1
				SCALE: NONE CADFILES/01076 SHEET 1 OF 1

