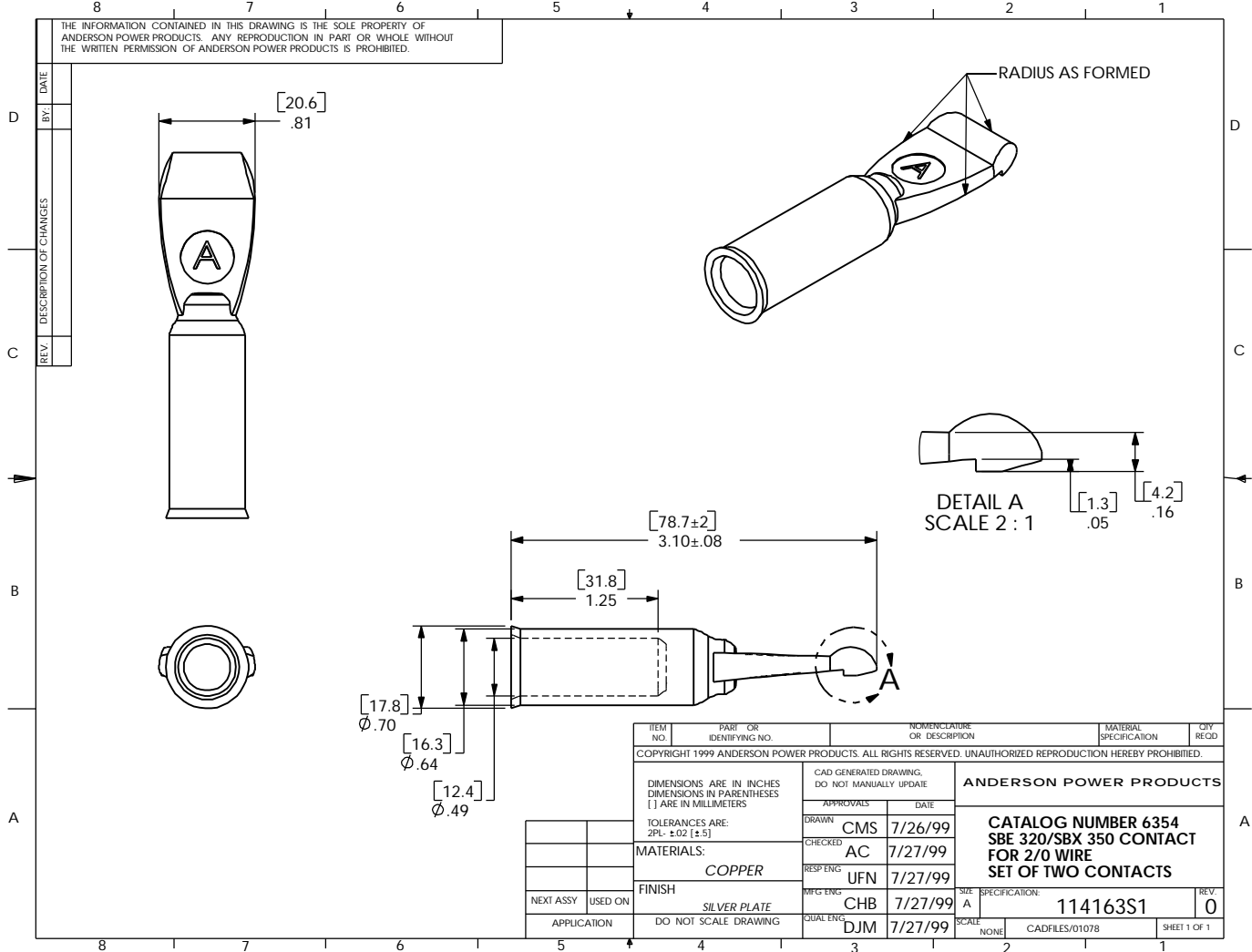
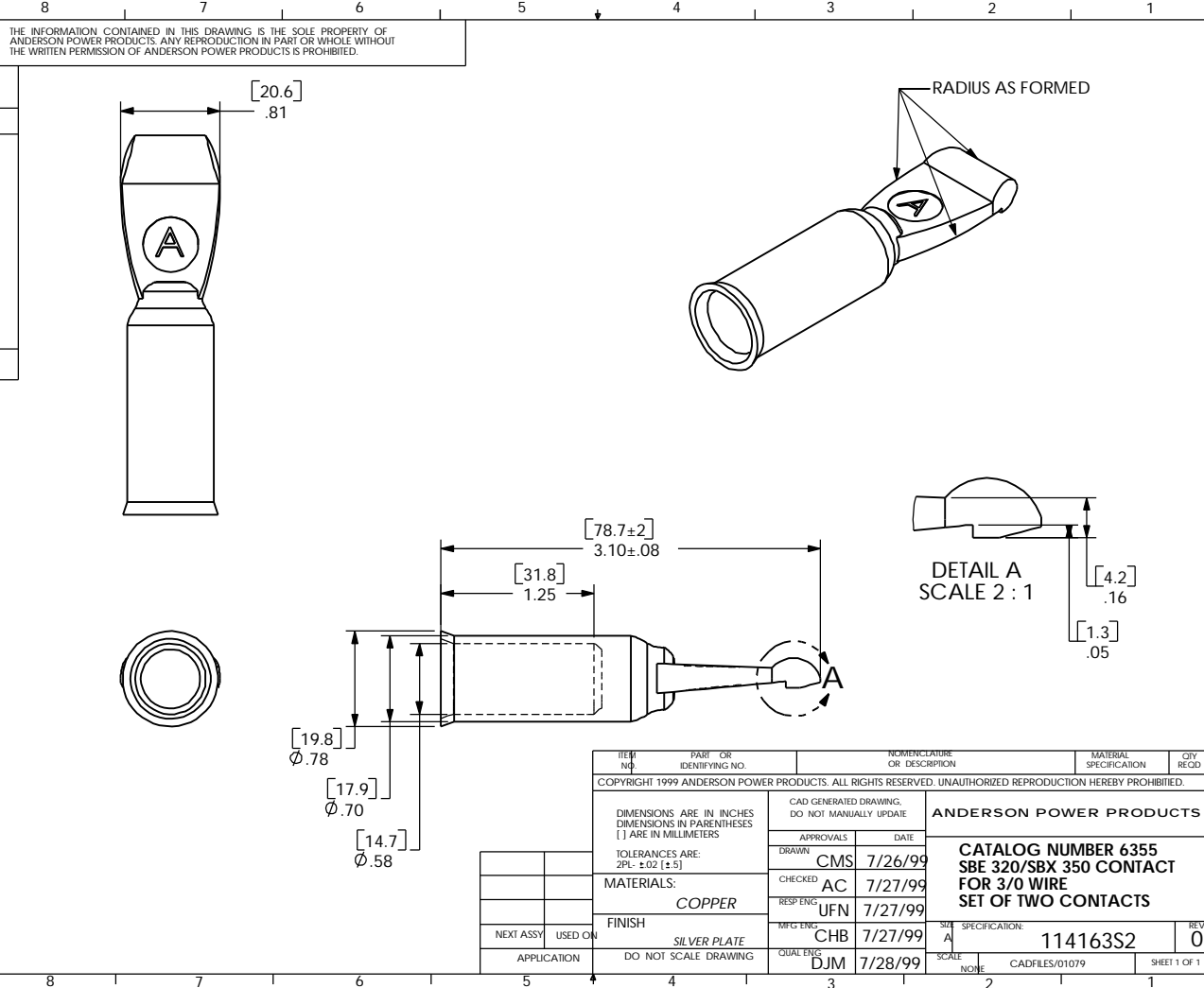


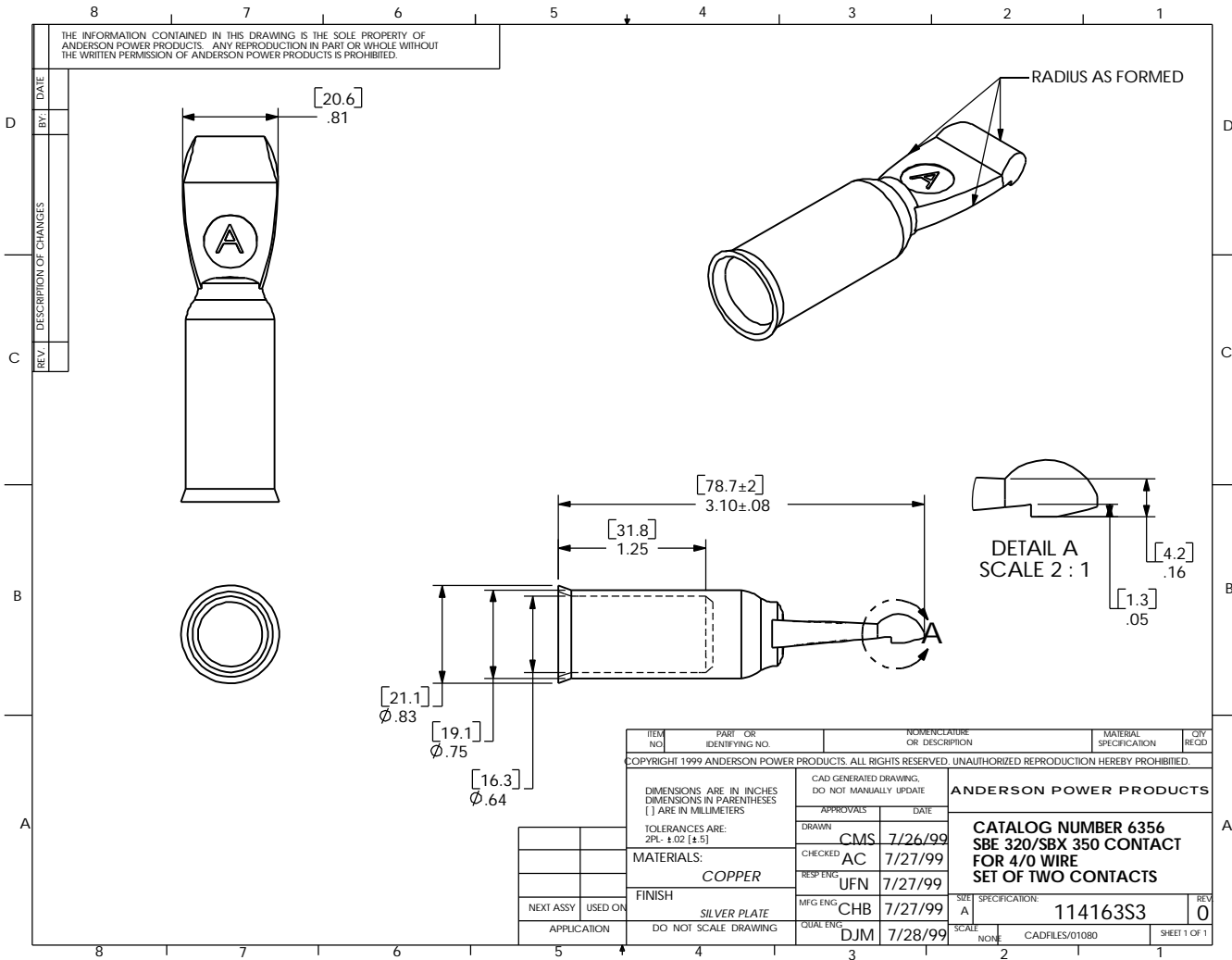
THE INFORMATION CONTAINED IN THIS DRAWING IS THE SOLE PROPERTY OF ANDERSON POWER PRODUCTS. ANY REPRODUCTION IN PART OR WHOLE WITHOUT THE WRITTEN PERMISSION OF ANDERSON POWER PRODUCTS IS PROHIBITED.



ITEM NO.	PART OR IDENTIFYING NO.	NOMENCLATURE OR DESCRIPTION	MATERIAL SPECIFICATION	QTY. REQ'D
COPYRIGHT 1999 ANDERSON POWER PRODUCTS. ALL RIGHTS RESERVED. UNAUTHORIZED REPRODUCTION HEREBY PROHIBITED.				
DIMENSIONS ARE IN INCHES DIMENSIONS IN PARENTHESES [] ARE IN MILLIMETERS		CAD GENERATED DRAWING. DO NOT MANUALLY UPDATE		
TOLERANCES ARE: 2PL ±.02 [±.5]		ANDERSON POWER PRODUCTS		
MATERIALS: <i>COPPER</i>		CATALOG NUMBER 6354 SBE 320/SBX 350 CONTACT FOR 2/0 WIRE SET OF TWO CONTACTS		
FINISH <i>SILVER PLATE</i>		SIZE SPECIFICATION: A 114163S1		
NEXT ASSY	USED ON	SCALE	CADFILES/01078	REV. 0
APPLICATION	DO NOT SCALE DRAWING	NONE		SHEET 1 OF 1

REV.	DESCRIPTION OF CHANGES	BY:	DATE

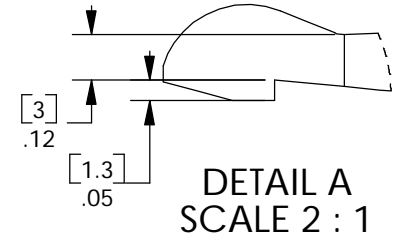
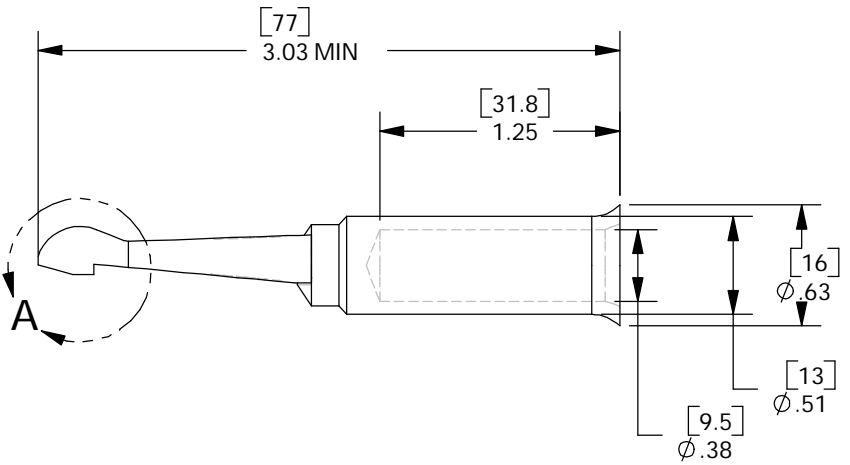
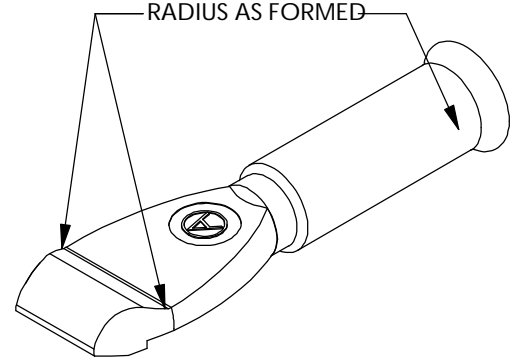
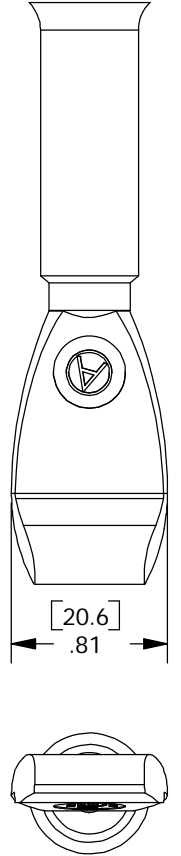




THE INFORMATION CONTAINED IN THIS DRAWING IS THE SOLE PROPERTY OF ANDERSON POWER PRODUCTS. ANY REPRODUCTION IN PART OR WHOLE WITHOUT THE WRITTEN PERMISSION OF ANDERSON POWER PRODUCTS IS PROHIBITED.

ANDERSON POWER PRODUCTS RESERVES THE RIGHT TO ALTER PRODUCT TYPES, THEIR TECHNICAL DATA, DIMENSION, STYLE AND ACCESSORIES WITHOUT PRIOR NOTIFICATION.

DATE	**
BY:	**
DESCRIPTION OF CHANGES	**
REV.	**



ITEM NO.	PART OR IDENTIFYING NO.	NOMENCLATURE OR DESCRIPTION	MATERIAL SPECIFICATION	QTY RECD
COPYRIGHT 2001 ANDERSON POWER PRODUCTS. ALL RIGHTS RESERVED. UNAUTHORIZED REPRODUCTION HEREBY PROHIBITED.				
DIMENSIONS ARE IN INCHES DIMENSIONS IN PARENTHESES [] ARE IN MILLIMETERS		CAD GENERATED DRAWING, DO NOT MANUALLY UPDATE	ANDERSON POWER PRODUCTS	
TOLERANCES ARE: 2PL- ±.02 [±.5]		APPROVALS	DATE	
MATERIALS: COPPER		DRAWN	CMS	1/31/02
FINISH SILVER PLATE		CHECKED	DJD	1/31/02
NEXT ASSY		RESP ENG	UFN	1/31/02
USED ON		MFG ENG	CHB	1/31/02
APPLICATION		QUAL ENG	RPO	1/31/02
DO NOT SCALE DRAWING		SIZE	A	REV. 0
		SCALE	NONE	CADFILES/01490
				SHEET 1 OF 1

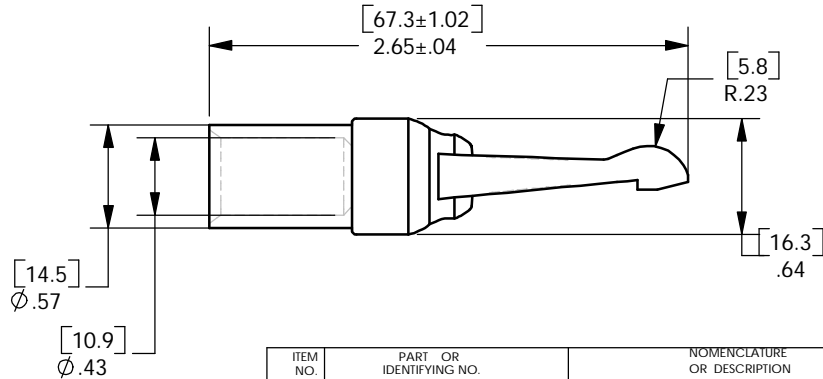
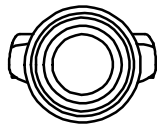
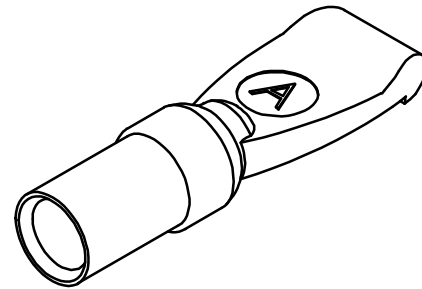
CATALOG NUMBER 6394
SBE320/SBX350 CONTACT
FOR 35MM WIRE
SET OF TWO CONTACTS

SPECIFICATION:
114335S1

THE INFORMATION CONTAINED IN THIS DRAWING IS THE SOLE PROPERTY OF ANDERSON POWER PRODUCTS. ANY REPRODUCTION IN PART OR WHOLE WITHOUT THE WRITTEN PERMISSION OF ANDERSON POWER PRODUCTS IS PROHIBITED.

ANDERSON POWER PRODUCTS RESERVES THE RIGHT TO ALTER PRODUCT TYPES, THEIR TECHNICAL DATA, DIMENSION, STYLE AND ACCESSORIES WITHOUT PRIOR NOTIFICATION.

DATE	**
BY:	**
DESCRIPTION OF CHANGES	
REV.	**



ITEM NO.	PART OR IDENTIFYING NO.	NOMENCLATURE OR DESCRIPTION	MATERIAL SPECIFICATION	QTY REQD
COPYRIGHT 2001 ANDERSON POWER PRODUCTS. ALL RIGHTS RESERVED. UNAUTHORIZED REPRODUCTION HEREBY PROHIBITED.				
DIMENSIONS ARE IN INCHES DIMENSIONS IN PARENTHESES [] ARE IN MILLIMETERS		CAD GENERATED DRAWING. DO NOT MANUALLY UPDATE	ANDERSON POWER PRODUCTS	
TOLERANCES ARE: 2PL- ±.02 [±.5]		APPROVALS	DATE	
MATERIALS:		DRAWN	CMS 11/21/01	
COPPER		CHECKED	DJD 11/21/01	
FINISH		RESP ENG	UFN 11/26/01	
SILVER PLATE		MFG ENG	CHB 11/26/01	
NEXT ASSY	USED ON	QUAL ENG	RPO 11/26/01	SCALE NONE
APPLICATION		DO NOT SCALE DRAWING		SIZE SPECIFICATION: 114347S1
			CADFILES/01543	REV. 0
			SHEET 1 OF 1	

