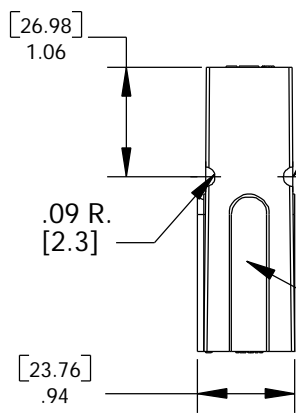


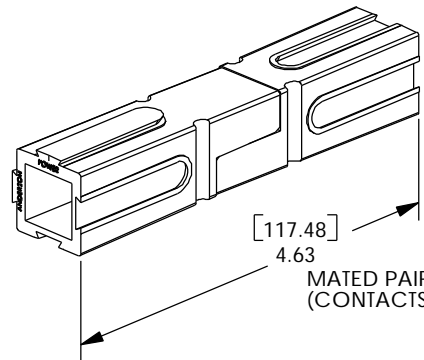
THE INFORMATION CONTAINED IN THIS DRAWING IS THE SOLE PROPERTY OF ANDERSON POWER PRODUCTS. ANY REPRODUCTION IN PART OR WHOLE WITHOUT THE WRITTEN PERMISSION OF ANDERSON POWER PRODUCTS IS PROHIBITED.

DATE	4/23/98
BY:	CGC
DESCRIPTION OF CHANGES	
REV.	5
	UPDATED TO CAD (ECRN 13058)

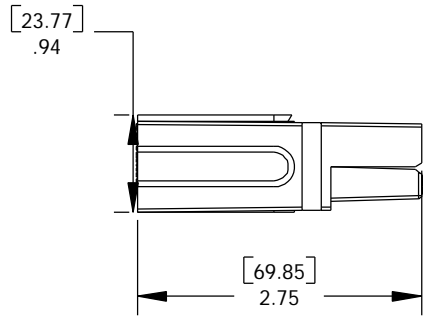
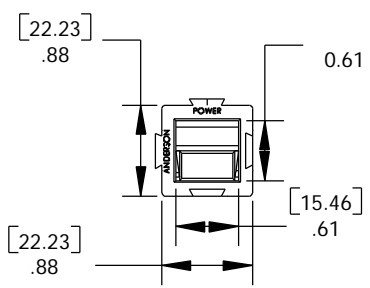


WHEN MATED SIDE TO SIDE, HALF-ROUNDS ALIGN TO FORM A SLOT FOR ROLL PIN INSERTION, WHICH PROTECTS AGAINST ACCIDENTAL DISLODGING OF MATED HOUSINGS.

DOVETAILS ALLOW STACKING IN VERTICAL, HORIZONTAL, OR IN BLOCK CONFIGURATIONS.



MATED PAIR OF HOUSINGS (CONTACTS NOT SHOWN)



CAT. NO.	COLOR
1321	BLUE
1321G1	BLACK
1321G2	WHITE
1321G3	RED
1321G4	GREEN

NOTES:

1. SPRING/HOUSING ASSEMBLIES ARE UL RECOGNIZED PER FILE E26226 AND CSA CERTIFIED PER LR25154.
2. THESE HOUSING ASSEMBLIES ACCOMMODATE ANDERSON CONTACTS FOR WIRE RANGES FROM #6 AWG TO #2 AWG.
3. FOR ASSEMBLY INSTRUCTIONS, SEE DOCUMENT 1S1072.
4. HOUSINGS: POLYCARBONATE, UL94V0. SPRING: STAINLESS STEEL. FOR OTHER COLORS, CONTACT ANDERSON POWER PRODUCTS.

ITEM NO.	PART OR IDENTIFYING NO.	NOMENCLATURE OR DESCRIPTION	MATERIAL SPECIFICATION	QTY RECD
PARTS LIST				
DIMENSIONS ARE IN INCHES DIMENSIONS IN PARENTHESES [] ARE IN MILLIMETERS		CAD GENERATED DRAWING. DO NOT MANUALLY UPDATE		ANDERSON POWER PRODUCTS 1321-SERIES "POWERPOLE 120" HOUSING/SPRING ASSEMBLY UP TO 120 AMP APPLICATIONS
TOLERANCES ARE: 2 PLC. DECIMALS +/- .02 [+/- .5]		APPROVALS	DATE	
MATERIALS: SEE NOTE 4		DRAWN M. MATENES	1/30/69	
NEXT ASSY		CHECKED J.E.T.	1/30/69	
USED ON		RESP ENG E.D.W.	1/31/69	SIZE A DWG. NO. 1-9597S2 REV. 5
APPLICATION		FINISH AS MOLDED	QUAL ENG	
		DO NOT SCALE DRAWING		SCALE - CAD FILE: 00833 SHEET 1 OF 1