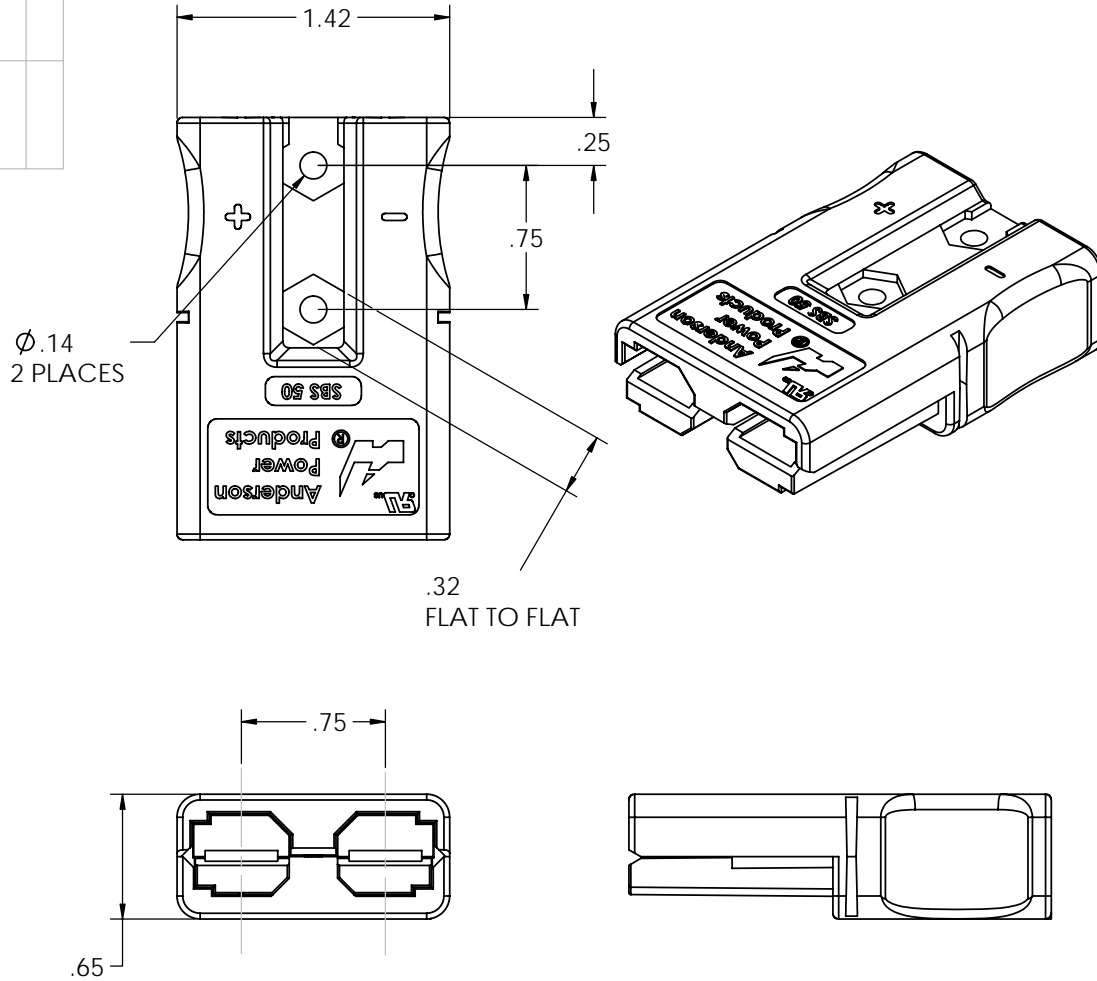


THE INFORMATION CONTAINED IN THIS DRAWING IS THE SOLE PROPERTY OF ANDERSON POWER PRODUCTS. ANY REPRODUCTION IN PART OR WHOLE WITHOUT THE WRITTEN PERMISSION OF ANDERSON POWER PRODUCTS IS PROHIBITED.

COPYRIGHT 2001



CAT.NO. / COLOR	KEYING CONFIGURATION
SBS50GRA	
GRAY	
SBS50BLU	
BLUE	
SBS50BLK	
BLACK	
SBS50BRN	
BROWN	
SBS50RED	
RED	
SBS50WHT	
WHITE	

NOTES:
 1. HOUSING MATERIAL: POLYCARBONATE
 2. SPRING MATERIAL: STAINLESS STEEL

REV.	DESCRIPTION	APPROVED	DATE
2	ECRN 13933	DJD	12-20-05
1	ECRN 13577	AB	4-14-03

REVISIONS

MATERIAL	UNLESS OTHERWISE SPECIFIED DIMENSIONS ARE IN INCHES	APPROVALS	DATE	ANDERSON POWER PRODUCTS	
FINISH	TOLERANCES: DECIMALS FRACTIONS ANGLES 2 PL ± .02 ± 1/32 ± 30° 3 PL ± .005	DRAWN AGB	12-16-02	TITLE	
USED ON	ALL THREADS UNF-UNC, 2A OR 2B MACHINE FINISH	CHECKED DJD	12-18-02	APP SBS50 OUTLINE	
THIRD ANGLE PROJECTION	CAD GENERATED DRAWING, DO NOT MANUALLY UPDATE DO NOT SCALE DRAWING	OC APP RPO	12-18-02	SIZE C	DWG. NO. 2-8467S1
		ENG APP MW	12-18-02	SCALE NONE	CAD FILE: 01652
					REV. 2
					SHEET 1 of 1