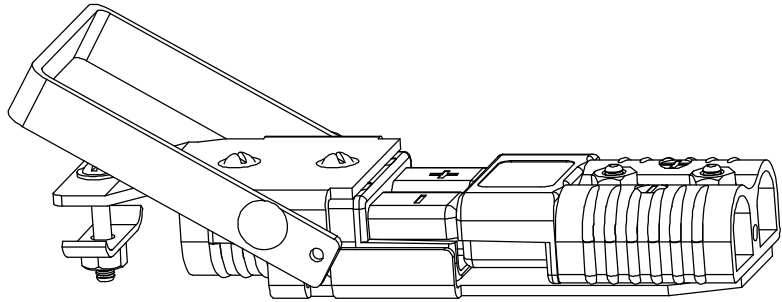
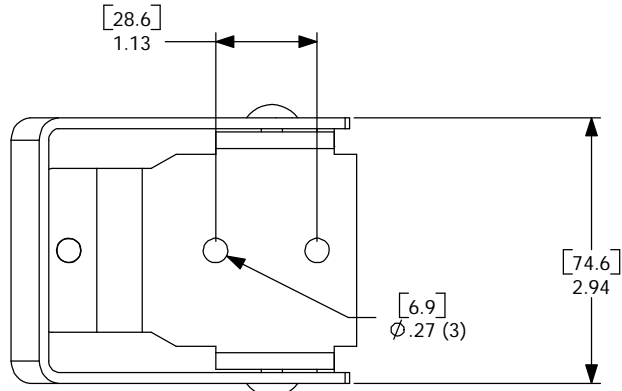
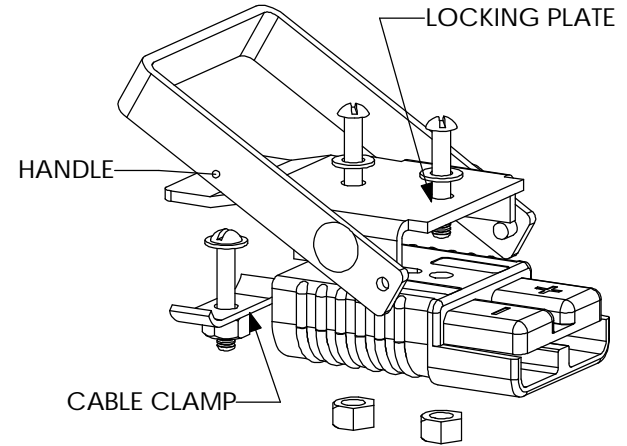
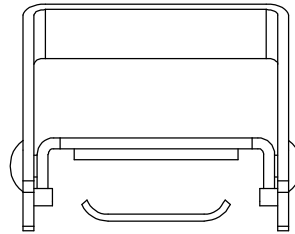
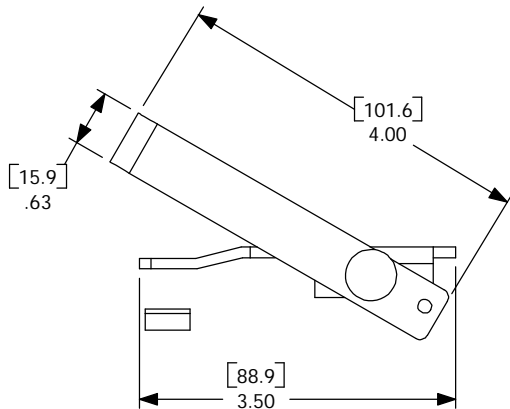


THE INFORMATION CONTAINED IN THIS DRAWING IS THE SOLE PROPERTY OF ANDERSON POWER PRODUCTS. ANY REPRODUCTION IN PART OR WHOLE WITHOUT THE WRITTEN PERMISSION OF ANDERSON POWER PRODUCTS IS PROHIBITED.

DATE	
BY:	
DESCRIPTION OF CHANGES	
REV.	



FULLY ASSEMBLED MANUAL RELEASE



LOCKING HALF

NOTES:

- MATERIAL: LOCKING PLATE, HANDLE, CLAMP- #11GA (.120") HOT ROLLED STEEL, PICKLED AND OILED. FINISH WITH ELECTROSTATIC POWDER COAT EPOXY- CRIMSON
- LOCKING HALF HARDWARE: THREE SCREWS, THREE NUTS, THREE LOCKWASHERS
- USE WITH CATALOG NUMBER 924 (MOUNTING HALF)

ITEM NO.	PART OR IDENTIFYING NO.	NOMENCLATURE OR DESCRIPTION	MATERIAL SPECIFICATION	QTY RECD
COPYRIGHT 1999 ANDERSON POWER PRODUCTS. ALL RIGHTS RESERVED. UNAUTHORIZED REPRODUCTION HEREBY PROHIBITED				
DIMENSIONS ARE IN INCHES DIMENSIONS IN PARENTHESES [] ARE IN MILLIMETERS		CAD GENERATED DRAWING. DO NOT MANUALLY UPDATE	ANDERSON POWER PRODUCTS	
TOLERANCES ARE: 2PL- ±.02 [±.5]		APPROVALS DATE		
MATERIALS: SEE NOTES		DRAWN CMS 1/31/00		
FINISH SEE NOTES		CHECKED DJF 1/31/00	CATALOG NUMBER 923	
NEXT ASSY USED ON		RESP ENG UFN 1/31/00	SB175 MANUAL RELEASE	
APPLICATION		MFG ENG CHB 2/1/00	LOCKING HALF- BATTERY	
		QUAL ENG RPO 2/1/00	SIZE A	SPECIFICATION: 114217S1
			SCALE NONE	REV. 0
			CADFILES/01163	
			SHEET 1 OF 1	

