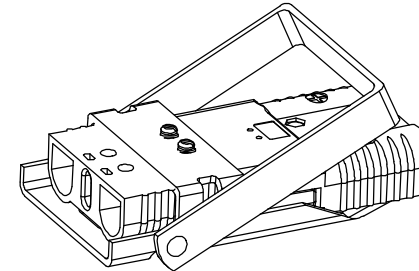
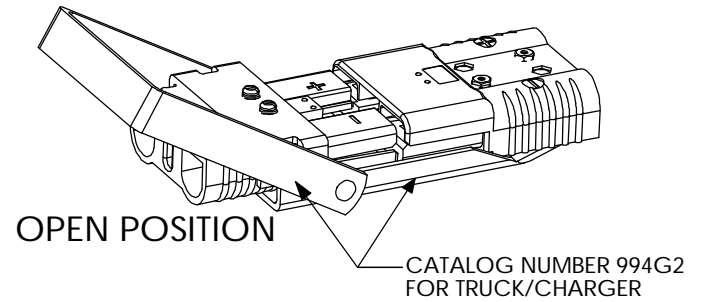
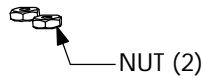
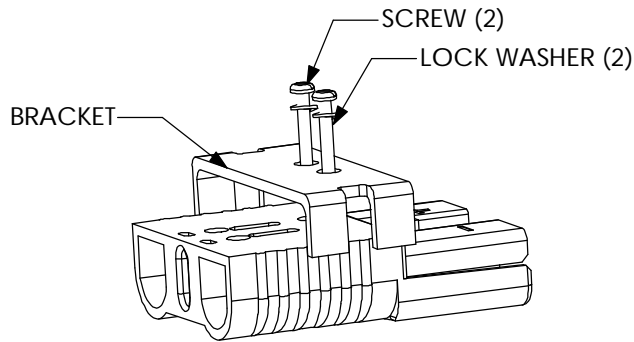


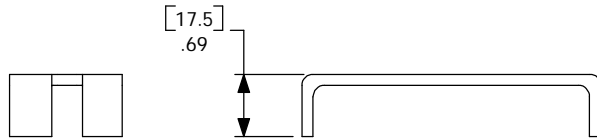
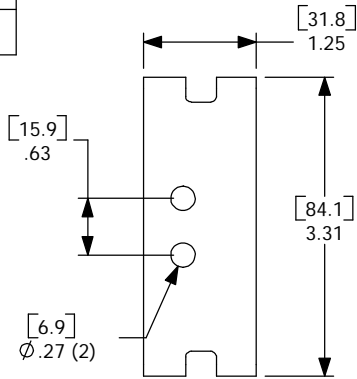
THE INFORMATION CONTAINED IN THIS DRAWING IS THE SOLE PROPERTY OF ANDERSON POWER PRODUCTS. ANY REPRODUCTION IN PART OR WHOLE WITHOUT THE WRITTEN PERMISSION OF ANDERSON POWER PRODUCTS IS PROHIBITED.

COMPONENTS FOR SBE160/SBX175
MANUAL RELEASE
BATTERY HALF

COMPONENT	QTY
BATTERY BRACKET	1
SCREWS	2
WASHERS	2
NUTS	2



CLOSED POSITION



- NOTES:
 1. MATERIAL- COLD ROLLED STEEL, .12 THK
 FINISH- ELECTROSTATIC POWDER COAT- CRIMSON EPOXY
 2. USE WITH CATALOG NUMBER 994G2
 3. CONNECTOR SOLD SEPARATELY

ITEM NO.	PART OR IDENTIFYING NO.	NOMENCLATURE OR DESCRIPTION	MATERIAL SPECIFICATION	QTY REQD
COPYRIGHT 1999 ANDERSON POWER PRODUCTS. ALL RIGHTS RESERVED. UNAUTHORIZED REPRODUCTION HEREBY PROHIBITED.				
DIMENSIONS ARE IN INCHES DIMENSIONS IN PARENTHESES [] ARE IN MILLIMETERS		CAD GENERATED DRAWING, DO NOT MANUALLY UPDATE		ANDERSON POWER PRODUCTS
TOLERANCES ARE: 2PL- ±.02 [±.5]		APPROVALS	DATE	
MATERIALS: SEE NOTES		DRAWN	CMS 4/12/00	CATALOG NUMBER 993G2 SBE160/SBX175 MANUAL RELEASE BATTERY BRACKET
FINISH SEE NOTES		CHECKED	DJD 4/24/00	
NEXT ASSY		USED ON	RESP ENG	UFN 4/24/00
APPLICATION		DO NOT SCALE DRAWING	MFG ENG	CHB 4/24/00
			QUAL ENG	RPO 5/8/00
			SCALE	NONE
			CADFILES	01211
			SHEET	1 OF 1

DATE	
BY:	
DESCRIPTION OF CHANGES	
REV.	

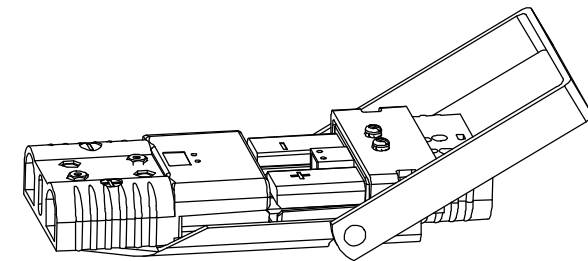
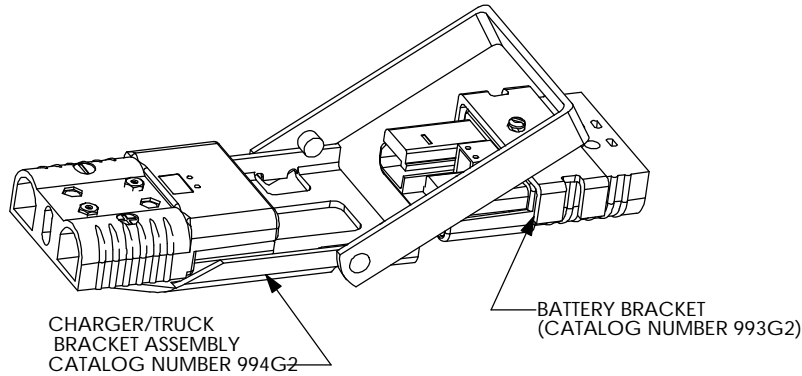
A

A

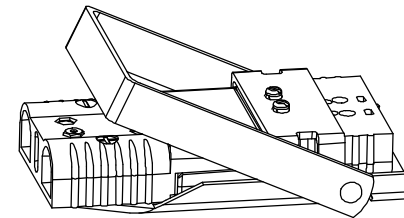
THE INFORMATION CONTAINED IN THIS DRAWING IS THE SOLE PROPERTY OF ANDERSON POWER PRODUCTS. ANY REPRODUCTION IN PART OR WHOLE WITHOUT THE WRITTEN PERMISSION OF ANDERSON POWER PRODUCTS IS PROHIBITED.

COMPONENTS FOR SBE160/SBX175
MANUAL RELEASE
CHARGER/TRUCK HALF

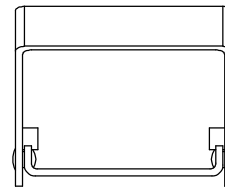
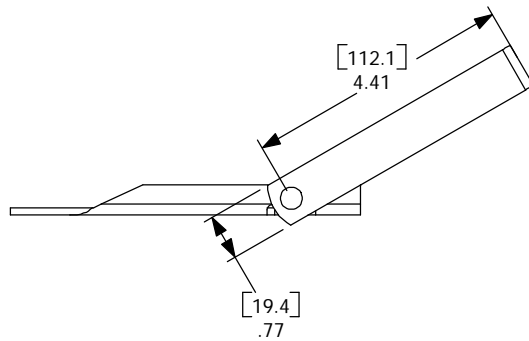
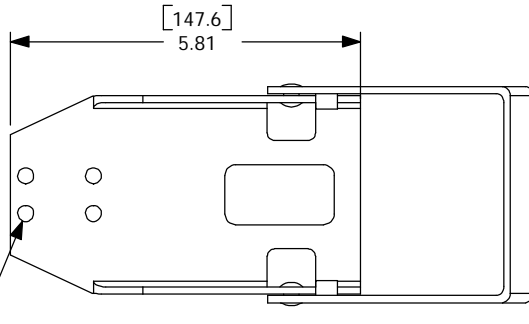
COMPONENT	QTY
CHARGER/TRUCK BRACKET ASSY	1
SCREWS	2
WASHERS	2
NUTS	2



OPEN POSITION



CLOSED POSITION



DATE	
BY:	
DESCRIPTION OF CHANGES	
REV.	

- NOTES:
- MATERIALS:
PLATE AND HANDLE- #11 GA COLD ROLLED STEEL.
FINISH WITH ELECTROSTATIC POWDER COAT EPOXY-CRIMSON
 - USE WITH CATALOG NUMBER 993G2 (BATTERY BRACKET)
 - CONNECTOR SOLD SEPARATELY

ITEM NO.	PART OR IDENTIFYING NO.	NOMENCLATURE OR DESCRIPTION	MATERIAL SPECIFICATION	QTY REQD
COPYRIGHT 2000 ANDERSON POWER PRODUCTS. ALL RIGHTS RESERVED. UNAUTHORIZED REPRODUCTION HEREBY PROHIBITED				
DIMENSIONS ARE IN INCHES DIMENSIONS IN PARENTHESES [] ARE IN MILLIMETERS		CAD GENERATED DRAWING. DO NOT MANUALLY UPDATE	ANDERSON POWER PRODUCTS	
TOLERANCES ARE: 2PL- ±.02 [±.5]		APPROVALS	DATE	
MATERIALS: SEE NOTES		DRAWN	CMS 4/20/00	
FINISH SEE NOTES		CHECKED	DJD 4/24/00	
NEXT ASSY		RESP ENG	UFN 4/24/00	
USED ON		MFG ENG	CHB 5/8/00	
APPLICATION		QUAL ENG	RPO 5/8/00	
DO NOT SCALE DRAWING		SCALE	NONE	
		SPECIFICATION:	114239S2	REV. 0
		CADFILES/01213		SHEET 1 OF 1