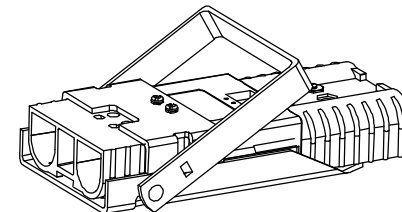
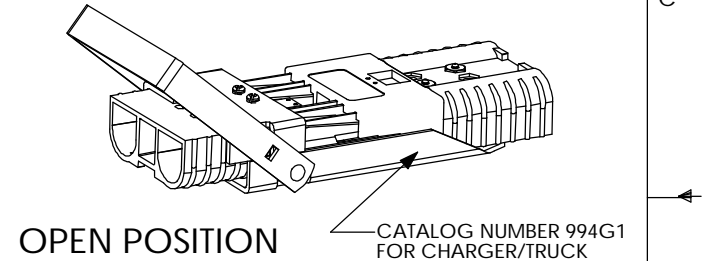
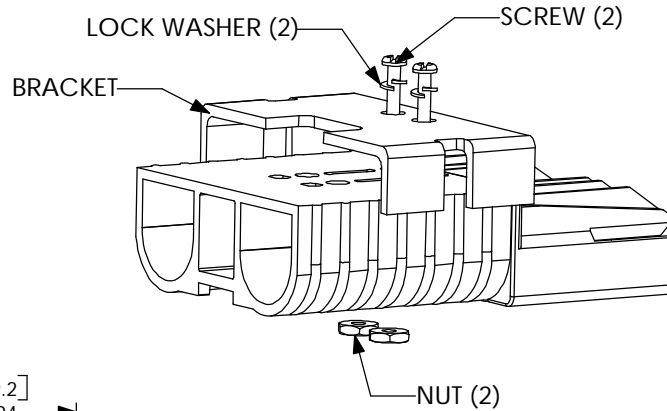


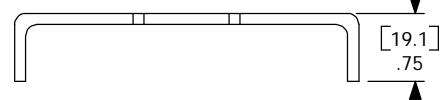
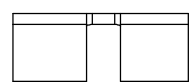
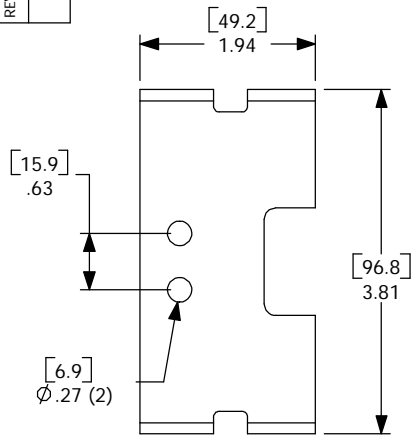
THE INFORMATION CONTAINED IN THIS DRAWING IS THE SOLE PROPERTY OF ANDERSON POWER PRODUCTS. ANY REPRODUCTION IN PART OR WHOLE WITHOUT THE WRITTEN PERMISSION OF ANDERSON POWER PRODUCTS IS PROHIBITED.

COMPONENTS FOR SBE320/SBX350
MANUAL RELEASE
BATTERY BRACKET

COMPONENT	QTY
BATTERY BRACKET	1
SCREWS	2
WASHERS	2
NUTS	2



DATE	
BY:	
DESCRIPTION OF CHANGES	
REV.	



[19.1]
.75

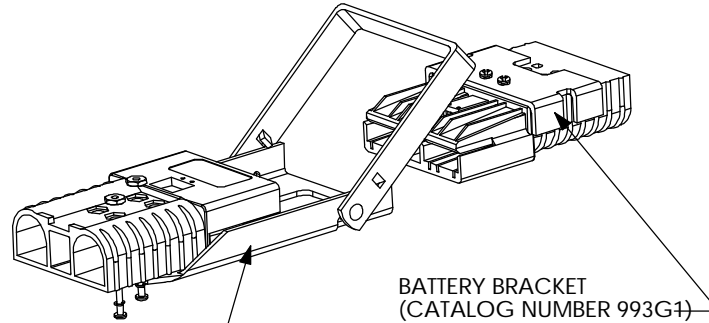
- NOTES:
1. MATERIAL- COLD ROLLED STEEL, .12 THK
FINISH- ELECTROSTATIC POWDER COAT- CRIMSON EPOXY
2. USE WITH CATALOG NUMBER 994G1
3. CONNECTOR SOLD SEPARATELY

NEXT ASSY	USED ON
APPLICATION	DO NOT SCALE DRAWING

ITEM NO.	PART OR IDENTIFYING NO.	NOMENCLATURE OR DESCRIPTION	MATERIAL SPECIFICATION	QTY REQD
COPYRIGHT 1999 ANDERSON POWER PRODUCTS. ALL RIGHTS RESERVED. UNAUTHORIZED REPRODUCTION HEREBY PROHIBITED.				
DIMENSIONS ARE IN INCHES DIMENSIONS IN PARENTHESES [] ARE IN MILLIMETERS		CAD GENERATED DRAWING. DO NOT MANUALLY UPDATE		ANDERSON POWER PRODUCTS
TOLERANCES ARE: 2PL- ±.02 [±.5]		APPROVALS	DATE	
MATERIALS: SEE NOTES		DRAWN	CMS 4/12/00	CATALOG NUMBER 993G1 SBE320/SBX350 MANUAL RELEASE BATTERY BRACKET
FINISH SEE NOTES		CHECKED	DJD 4/24/00	
		RESP ENG	UFN 4/24/00	SIZE
		MFG ENG	CHB 4/24/00	SPECIFICATION:
		QUAL ENG	RPO 5/8/00	114238S1
		SCALE	NONE	REV. 0
		CADFILES/01210		SHEET 1 OF 1

THE INFORMATION CONTAINED IN THIS DRAWING IS THE SOLE PROPERTY OF ANDERSON POWER PRODUCTS. ANY REPRODUCTION IN PART OR WHOLE WITHOUT THE WRITTEN PERMISSION OF ANDERSON POWER PRODUCTS IS PROHIBITED.

DATE	
BY:	
DESCRIPTION OF CHANGES	
REV.	

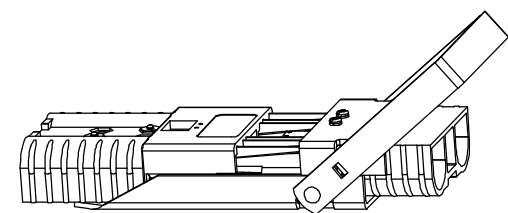
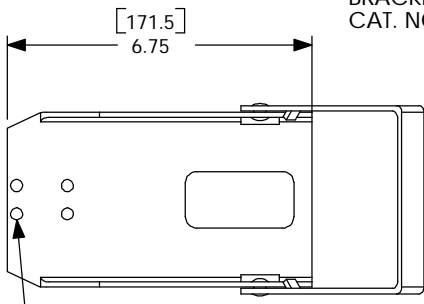


CHARGER/TRUCK BRACKET ASSEMBLY
CAT. NO. 994G1

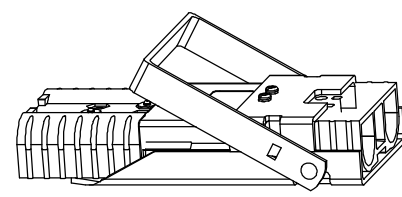
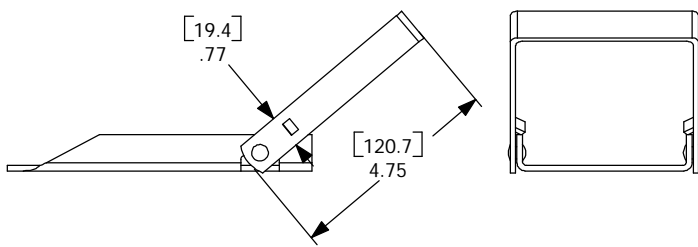
BATTERY BRACKET
(CATALOG NUMBER 993G1)

COMPONENTS FOR SBE320/SBX350
MANUAL RELEASE
CHARGER/TRUCK HALF

COMPONENT	QTY
CHARGER/TRUCK BRACKET ASSY	1
SCREWS	2
WASHERS	2
NUTS	2



OPEN POSITION



CLOSED POSITION

- NOTES:
- MATERIALS:
PLATE AND HANDLE- #11 GA COLD ROLLED STEEL.
FINISH WITH ELECTROSTATIC POWDER COAT EPOXY-CRIMSON
 - USE WITH CATALOG NUMBER 993G1 (BATTERY BRACKET)
 - CONNECTOR SOLD SEPARATELY

ITEM NO.	PART OR IDENTIFYING NO.	NOMENCLATURE OR DESCRIPTION	MATERIAL SPECIFICATION	QTY REQD
COPYRIGHT 1999 ANDERSON POWER PRODUCTS. ALL RIGHTS RESERVED. UNAUTHORIZED REPRODUCTION HEREBY PROHIBITED				
DIMENSIONS ARE IN INCHES DIMENSIONS IN PARENTHESES [] ARE IN MILLIMETERS		CAD GENERATED DRAWING. DO NOT MANUALLY UPDATE	ANDERSON POWER PRODUCTS	
TOLERANCES ARE: 2PL- ±.02 [±.5]		APPROVALS	DATE	
MATERIALS: SEE NOTES		DRAWN	CMS	4/14/00
FINISH SEE NOTES		CHECKED	DJD	4/24/00
NEXT ASSY		RESP ENG	UFN	4/25/00
USED ON		MFG ENG	CHB	4/25/00
APPLICATION		QUAL ENG	RPO	5/8/00
DO NOT SCALE DRAWING		SIZE	A	SPECIFICATION: 114238S2
		SCALE	NONE	REV. 0
		CADFILES/01212		SHEET 1 OF 1